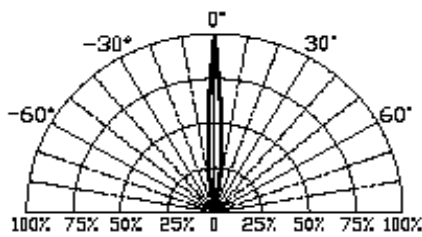
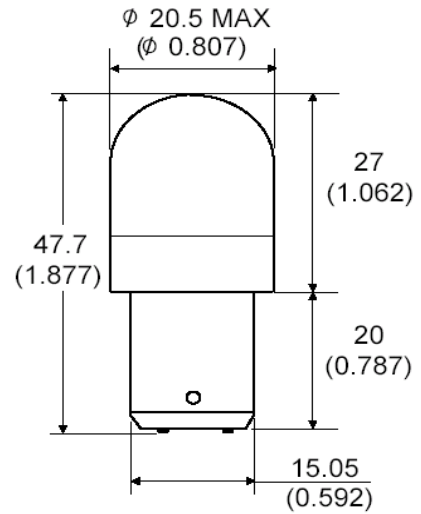
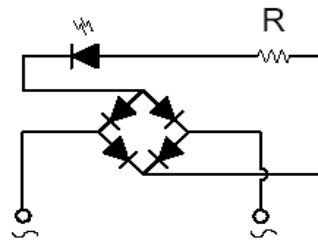


DotLED Lamp series

Ba15d 1 LED



Radiation Pattern Water Clear Lens



Circuit Diagram

Unit : mm (Inch)

Application Information @ 25°C Ta

T_{OPR.} -25° ~ +70°C

T_{STG.} -25° ~ +70°C

Model	Color Code	Emitting Color	Chip Construction	Lens	Dominant Wavelength λD(nm)	Luminous Intensity on axis (mcd@20mA) *1
OLI 2497 011	UR	Red	AlGaInP/GaP	Water Clear	629	11900
OLI 2497 011	UY	Yellow	AlGaInP/GaP	Water Clear	590	6000
OLI 2497 011	UG	Green	InGaN	Water Clear	525	3320
OLI 2497 011	UB	Blue	InGaN/GaN	Water Clear	470	2520
OLI 2497 011	UW	White	InGaN	Water Clear	x=0.28-0.33 y=0.28-0.36	17250

Part Number Information:

OLI **2497 011** **XX** **XXX** **BA**

OLI: Oshino Lamp Italia
 2497 011: Model - LED number and Lens type: 011 = 1 LED, Water Clear Lens
 XX: Emitting Color
 XXX: Input Voltage: *2
 006 = 6V, 012 = 12V, 024 = 24V, 028 = 28V, 110 = 110V
 BA: Ba15d Base

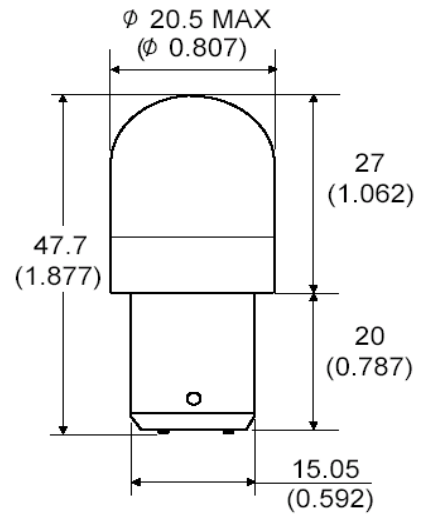
*1: Up to 28V nominal current is 20mA approx.
 For versions above 28V nominal current is lower.

*2: Other voltage available on request.

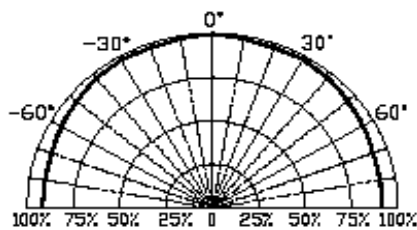
Data in this short-form are subject to change without prior notice.
 Please contact us for confirming of data in case of critical application.

DotLED Lamp series

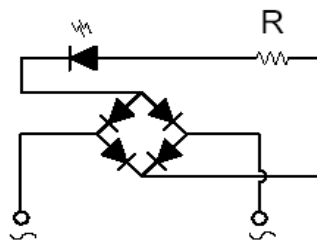
Ba15d 1 LED



Unit : mm (Inch)



Radiation Pattern White Diffused Lens



Circuit Diagram

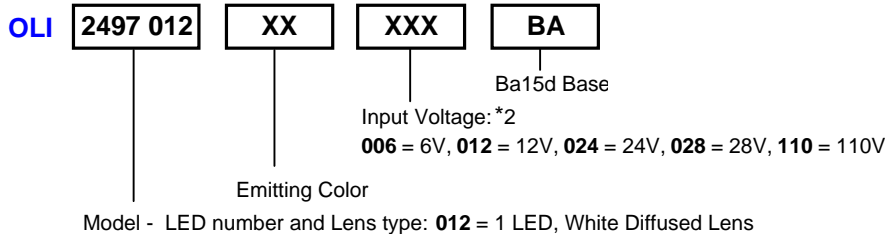
Application Information @ 25°C Ta

T_{OPR.} -25° ~ +70°C

T_{STG.} -25° ~ +70°C

Model	Color Code	Emitting Color	Chip Construction	Lens	Dominant Wavelength λD(nm)	Luminous Intensity on axis (mcd@20mA) *1
OLI 2497 012	UR	Red	AlGaInP/GaP	White Diffused	629	165
OLI 2497 012	UY	Yellow	AlGaInP/GaP	White Diffused	590	65
OLI 2497 012	UG	Green	InGaN	White Diffused	525	35
OLI 2497 012	UB	Blue	InGaN/GaN	White Diffused	470	30
OLI 2497 012	UW	White	InGaN	White Diffused	x=0.28-0.33 y=0.28-0.36	135

Part Number Information:



*1: Up to 28V nominal current is 20mA approx.
For versions above 28V nominal current is lower.

*2: Other voltage available on request.

Data in this short-form are subject to change without prior notice.
Please contact us for confirming of data in case of critical application.