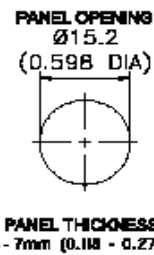
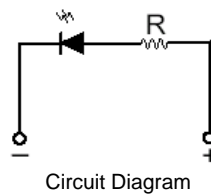
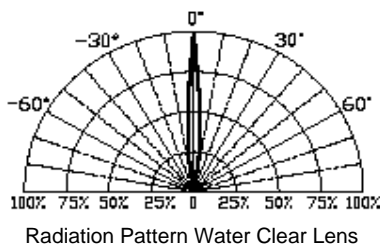
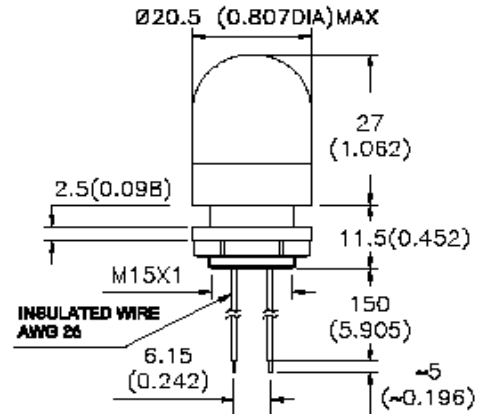


DotLED Lamp series

Panel mounting 1 LED



Unit : mm (Inch)

Application Information @ 25°C Ta

T_{OPR.} -25° ~ +70°C

T_{STG.} -25° ~ +70°C

Model	Color Code	Emitting Color	Chip Construction	Lens	Dominant Wavelength λD(nm)	Luminous Intensity on axis (mcd@20mA) *1
OLI 2497 011	UR	Red	AlGaInP/GaP	Water Clear	629	11900
OLI 2497 011	UY	Yellow	AlGaInP/GaP	Water Clear	590	6000
OLI 2497 011	UG	Green	InGaN	Water Clear	525	3320
OLI 2497 011	UB	Blue	InGaN/GaN	Water Clear	470	2520
OLI 2497 011	UW	White	InGaN	Water Clear	x=0.28-0.33 y=0.28-0.36	17250

Part Number Information:

OLI **2497 011** **XX** **XXX** **XX**

Options: **B** = Bridge Rectifier, **PD** = Protective Diode

Input Voltage: *2

006 = 6Vdc, **012** = 12Vdc, **024** = 24Vdc, **028** = 28Vdc, **110** = 110Vdc, **000** = Without Resistor

Emitting Color

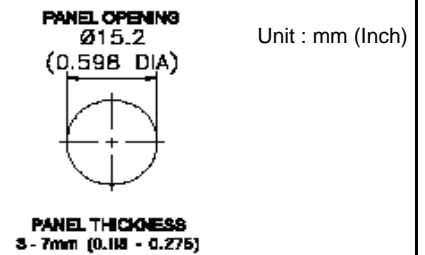
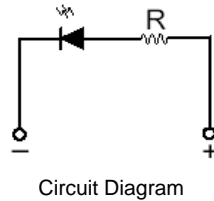
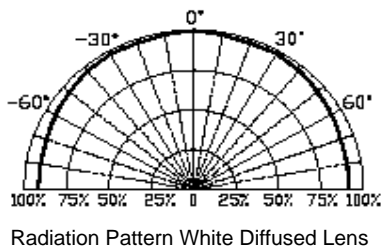
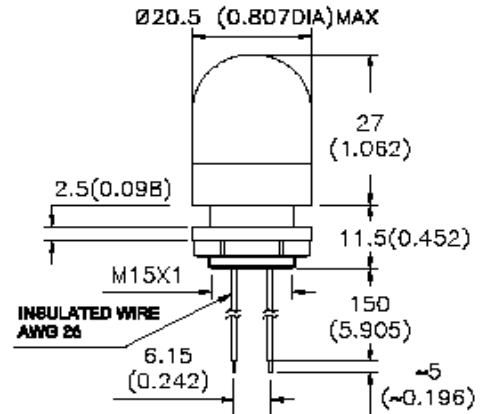
Model - LED number and Lens type: **011** = 1 LED, Water Clear Lens

- *1: Up to 28Vdc nominal current is 20mA approx.
For versions above 28Vdc nominal current is lower.
- *2: Other voltage available on request.

Data in this short-form are subject to change without prior notice.
Please contact us for confirming of data in case of critical application.

DotLED Lamp series

Panel mounting 1 LED



Application Information @ 25°C Ta

T_{OPR.} -25° ~ +70°C

T_{STG.} -25° ~ +70°C

Model	Color Code	Emitting Color	Chip Construction	Lens	Dominant Wavelength λD(nm)	Luminous Intensity on axis (mcd@20mA) *1
OLI 2497 012	UR	Red	AlGaInP/GaP	White Diffused	629	165
OLI 2497 012	UY	Yellow	AlGaInP/GaP	White Diffused	590	65
OLI 2497 012	UG	Green	InGaN	White Diffused	525	35
OLI 2497 012	UB	Blue	InGaN/GaN	White Diffused	470	30
OLI 2497 012	UW	White	InGaN	White Diffused	x=0.28-0.33 y=0.28-0.36	135

Part Number Information:

OLI 2497 012 XX XXX XX

Options: **B** = Bridge Rectifier, **PD** = Protective Diode
 Input Voltage: *2
006 = 6Vdc, **012** = 12Vdc, **024** = 24Vdc, **028** = 28Vdc, **110** = 110Vdc, **000** = Without Resistor
 Emitting Color
 Model - LED number and Lens type: **012** = 1 LED, White Diffused Lens

*1: Up to 28Vdc nominal current is 20mA approx.
 For versions above 28Vdc nominal current is lower.
 *2: Other voltage available on request.

Data in this short-form are subject to change without prior notice.
 Please contact us for confirming of data in case of critical application.