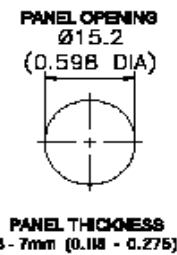
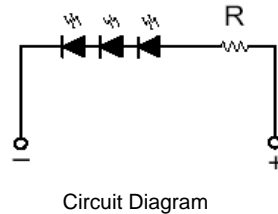
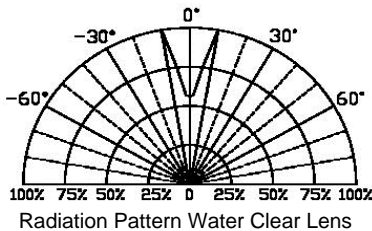
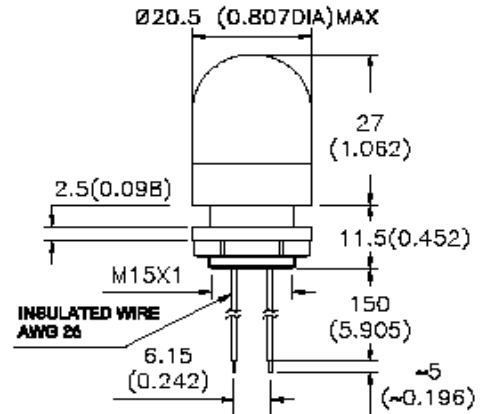


DotLED Lamp series

Panel mounting 3 LED



Unit : mm (Inch)

Application Information @ 25°C Ta

T_{OPR.} -25° ~70°C

T_{STG.} -25° ~ +70°C

Model	Color Code	Emitting Color	Chip Construction	Lens	Dominant Wavelength λD(nm)	Luminous Intensity on axis (mcd@20mA) *1
OLI 2497 031	UR	Red	AlGaInP/GaP	Water Clear	629	15980
OLI 2497 031	UY	Yellow	AlGaInP/GaP	Water Clear	590	9900
OLI 2497 031	UG	Green	InGaN	Water Clear	525	3980
OLI 2497 031	UB	Blue	InGaN/GaN	Water Clear	470	2810
OLI 2497 031	UW	White	InGaN	Water Clear	x=0.28-0.33 y=0.28-0.36	21390

Part Number Information:

OLI **2497 031** **XX** **XXX** **XX**

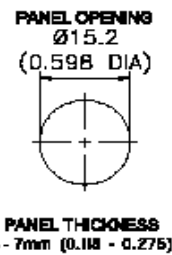
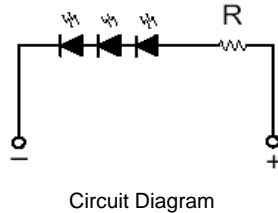
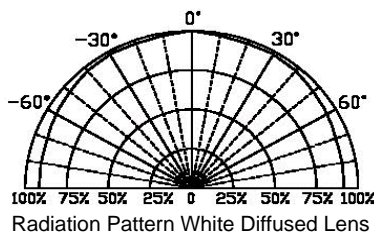
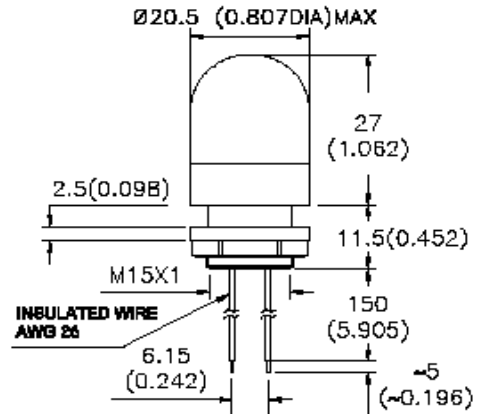
Options: **B** = Bridge Rectifier, **PD** = Protective Diode
 Input Voltage: *2
006 = 6Vdc, **012** = 12Vdc, **024** = 24Vdc, **028** = 28Vdc, **110** = 110Vdc, **000** = Without Resistor
 Emitting Color
 Model - LED number and Lens type: **031** = 3 LED, Water Clear Lens

*1: Up to 28Vdc nominal current is 20mA approx.
 For versions above 28Vdc nominal current is lower.
 *2: Other voltage available on request.

Data in this short-form are subject to change without prior notice.
 Please contact us for confirming of data in case of critical application.

DotLED Lamp series

Panel mounting 3 LED



Unit : mm (Inch)

Application Information @ 25°C Ta

T_{OPR.} -25° ~ +70°C

T_{STG.} -25° ~ +70°C

Model	Color Code	Emitting Color	Chip Construction	Lens	Dominant Wavelength λD(nm)	Luminous Intensity on axis (mcd@20mA) *1
OLI 2497 032	UR	Red	AlGaInP/GaP	White Diffused	629	545
OLI 2497 032	UY	Yellow	AlGaInP/GaP	White Diffused	590	235
OLI 2497 032	UG	Green	InGaN	White Diffused	525	125
OLI 2497 032	UB	Blue	InGaN/GaN	White Diffused	470	95
OLI 2497 032	UW	White	InGaN	White Diffused	x=0.28-0.33 y=0.28-0.36	465

Part Number Information:

OLI **2497 032** **XX** **XXX** **XX**

Options: **B** = Bridge Rectifier, **PD** = Protective Diode

Input Voltage: *2

006 = 6Vdc, **012** = 12Vdc, **024** = 24Vdc, **028** = 28Vdc, **110** = 110Vdc, **000** = Without Resistor

Emitting Color

Model - LED number and Lens type: **032** = 3 LED, White Diffused Lens

- *1: Up to 28Vdc nominal current is 20mA approx.
For versions above 28Vdc nominal current is lower.
- *2: Other voltage available on request.

Data in this short-form are subject to change without prior notice.
Please contact us for confirming of data in case of critical application.