

AC to DC Constant Current Power Supply

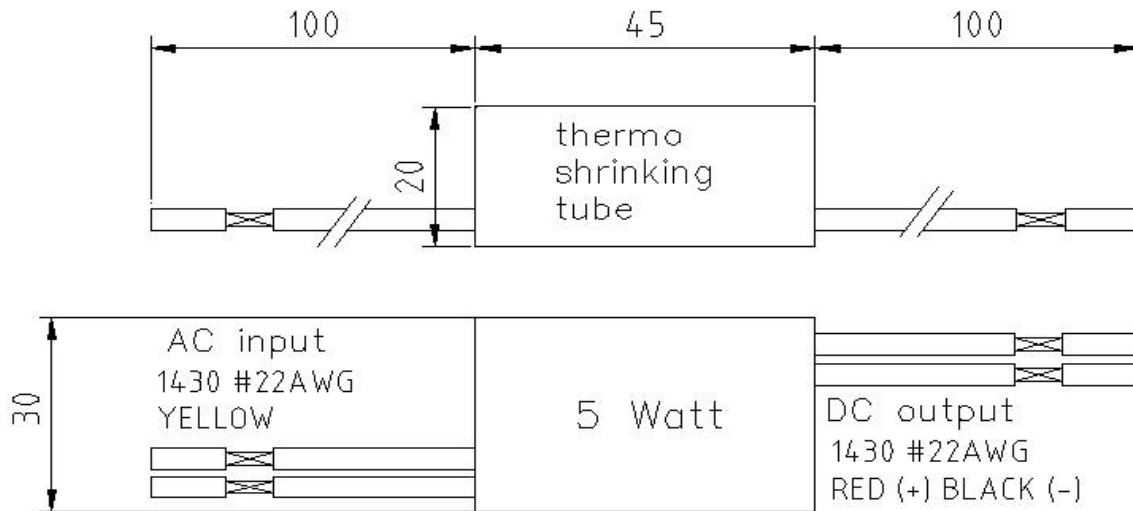
Driver for MLED 5W from city power.

Wide VAC input. VDC output with constant current.



DOMAĐ
LED TECH CO.,LTD

5 Watt LED optimized driver



dimensions in mm.

PH05400 (LA1005-12-C0400)

Constant Current DC Output: 0,4A



Safety : FCC B - CE

AC Input range: 90~263VAC / 80~40mA / 47~63Hz

Output Isolation : Yes

DC Output: 2~12VDC

Watts: 5W

Crest Factor (Ipk): 1,5 max.

Efficiency : 76% Typical

Operation Temp. : -40°C~+50°C

Storage Temp. : -40°~+85°C

PH05400 is suitable driver for single colour:

DM-C-R10-5xxx

DM-C-R14-5xxx

DM-R-R1609-5xxx

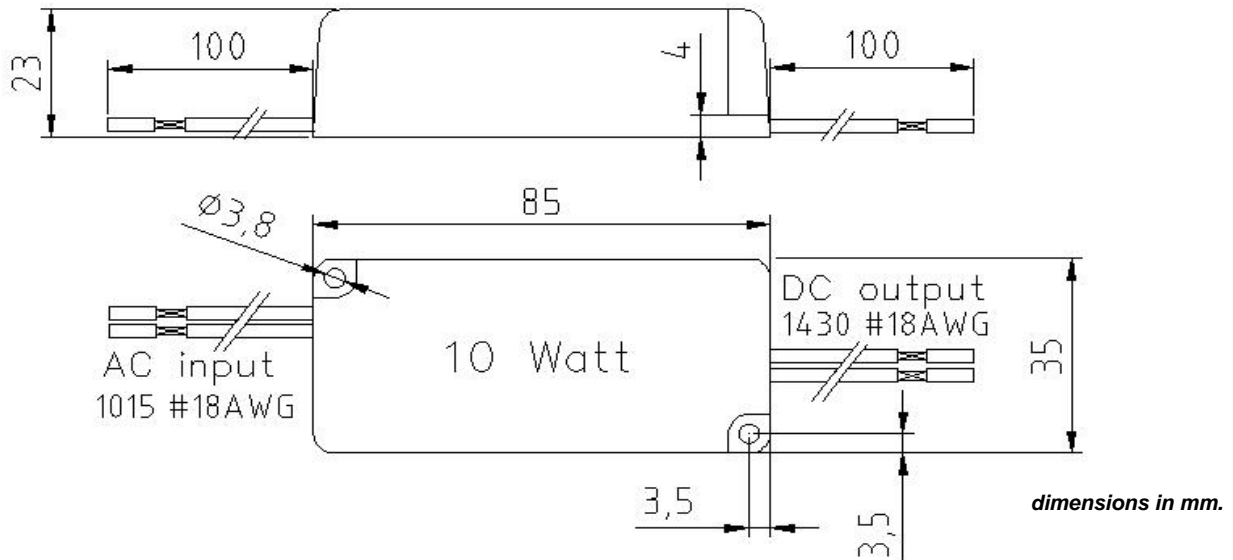
AC to DC switching power supply

Ideal for MLED light engine

Specially designed, universal power driver from AC city power

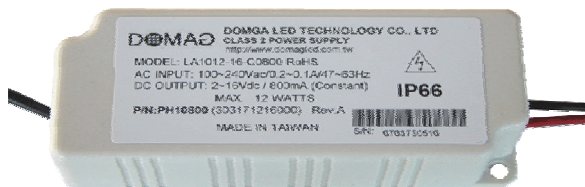


10 Watt LED optimized drivers



PH10800 (LA1012-16-C0800)

Constant Current DC Output: **0,8A**



PH10800 is suitable driver for single colour:

DM-C-R14-10xxx DM-C-R08-10xxx
DM-C-R10-10xxx DM-CH-R14-10xxx
DM-R-R1609-10xxx

Safety : UL1310 - Class2 - cUL - FCC B - CE - RoHS

Protection classification: IP66

AC Input range: 90~264VAC / 0,2~0,1A / 47~63Hz

DC Output: 2~16VDC

Watts: 10W

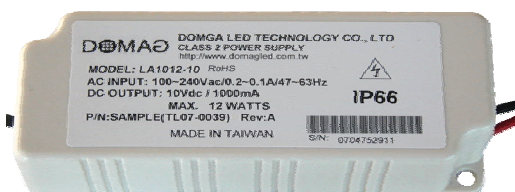
Operation Temp. : -40°C~+70°C Tc: 90°C

Power factor: >0,6 at full load, 115VAC-230VAC

Efficiency : 75% Typical

PH1012 (LA1012-10)

Constant Voltage Output: **10VDC**



PH1012 is suitable driver for RGB:

DM-R-R1609-9MF

Safety : UL1310 - Class2 - cUL - FCC B - CE - RoHS

Protection classification: IP66

AC Input range: 90~264VAC / 0,2~0,1A / 47~63Hz

Watts: 10W

Operation Temp. : -40°C~+70°C Tc: 90°C

Power factor: >0,6 at full load, 115VAC-230VAC

Efficiency : 75% Typical

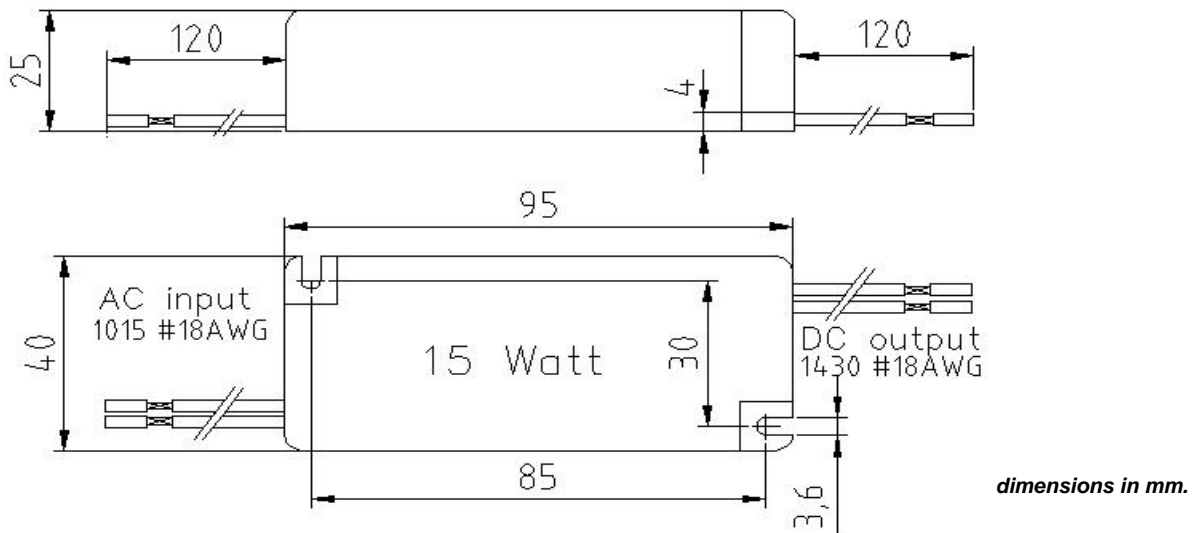
AC to DC switching power supply

Ideal for MLED light engine

Specially designed, universal power driver from AC city power

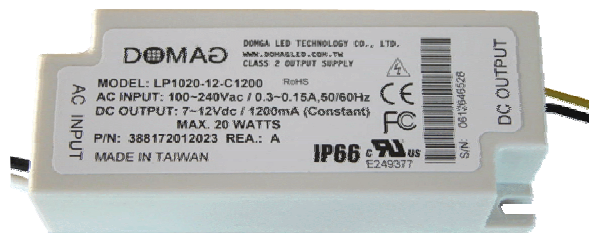


15 Watt LED optimized drivers



PH151200 (LP1020-12-C1200)

Constant Current DC Output: **1,2A**



Safety : **UL1310 - UL48 Class2 - cUL - FCC B - CE - RoHS**

Protection classification: **IP66**

AC Input range: **100~240VAC / 0,3~0,15A / 50~60Hz**

DC Output: **7~12VDC**

Watts: **15W**

Operation Temp. : **-30°C~+60°C Tc: 90°C**

Power factor: **>0,92 at full load, 115VAC-230VAC**

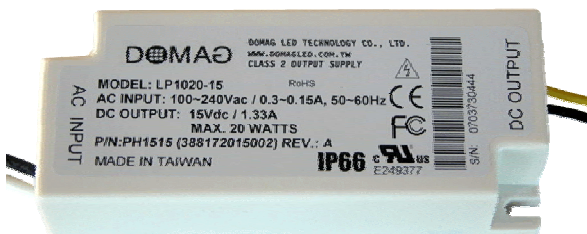
Efficiency : **85% Typical**

PH151200 is suitable driver for single colour:

DM-C-R10-15xx, DM-C-R14-15xxx, DM-C-R08-15xxx, DM-CH-R14-15xxx, DM-R-R1609-15xxx

PH1515 (LP1020-15)

Constant Voltage Output: **15VDC**



Safety : **UL1310 - UL48 Class2 - cUL - FCC B - CE - RoHS**

Protection classification: **IP66**

AC Input range: **100~240VAC / 0,3~0,15A / 50~60Hz**

Watts: **15W**

Operation Temp. : **-30°C~+60°C Tc: 90°C**

Power factor: **>0,92 at full load, 115VAC-230VAC**

Efficiency : **85% Typical**

PH1515 is suitable driver for RGB:

DM-R-R1609-15MF

AC to DC switching power supply

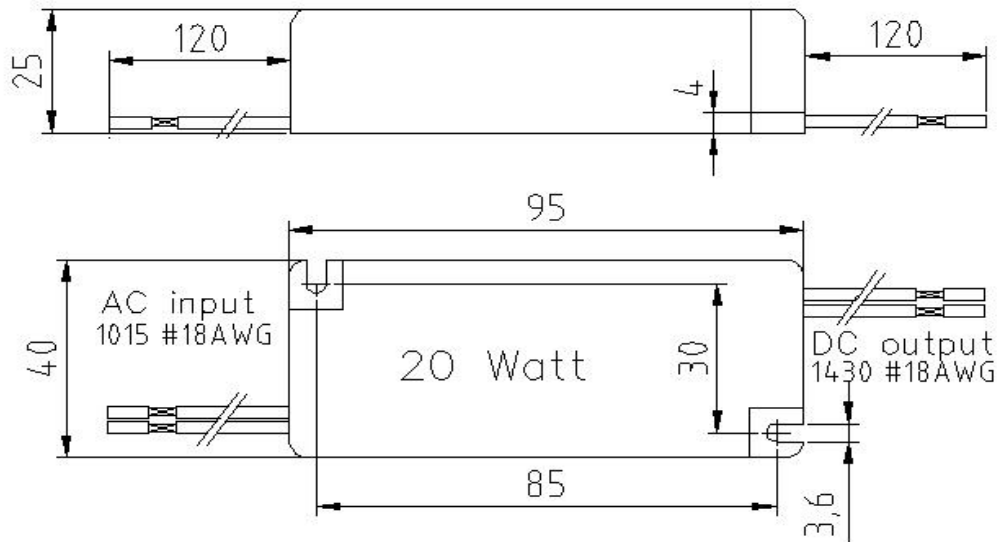
Ideal for MLED light engine

Specially designed, universal power driver from AC city power



DOMA
LED TECH CO., LTD

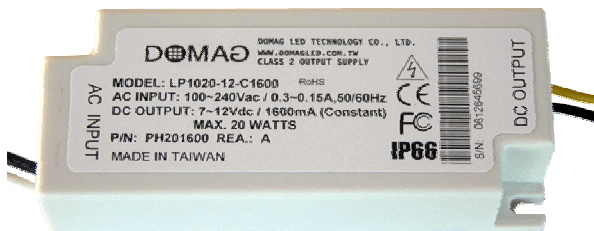
20 Watt LED optimized driver



dimensions in mm.

PH201600 (LP1020-12-C1600)

Constant Current DC Output: 1,6A



Safety : UL1310 - UL48 Class2 - cUL - FCC B - CE - RoHS

Protection classification: IP66

AC Input range: 100~240VAC / 0,3~0,15A / 50~60Hz

DC Output: 7~12VDC

Watts: 20W

Operation Temp. : -30°C~+60°C Tc: 90°C

Power factor: >0,92 at full load, 115VAC-230VAC

Efficiency : 85% Typical

PH201600 is suitable driver for single colour:

DM-C-R08-20xxx DM-R-R08-20xxx

DM-C-R10-20xxx DM-C-R14-20xxx

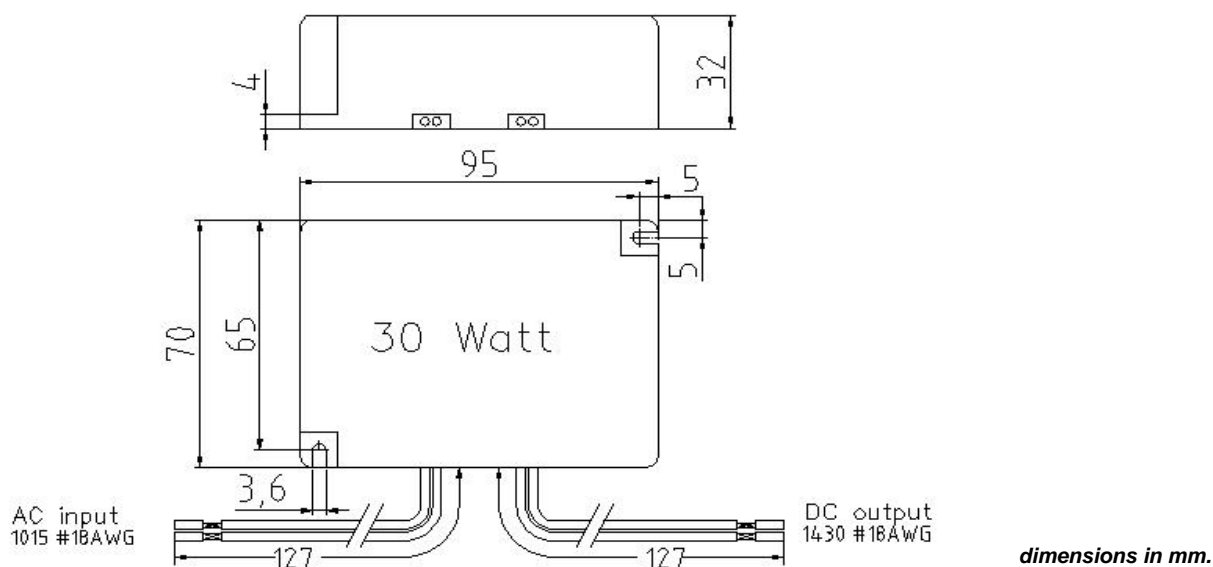
AC to DC switching power supply

Ideal for MLED light engine

Specially designed, universal power driver from AC city power



30 Watt LED optimized drivers



PH302400 (LP1040-12-C2400)

Constant Current DC Output: **2,4A**



Safety : UL1310 - UL48 Class2 - cUL - FCC B - CE - RoHS

Protection classification: IP66

AC Input range: 100~240VAC / 0,5A / 50~60Hz

DC Output: 7~12VDC

Watts: 30W

Operation Temp. : -30°C~+60°C Tc: 90°C

Power factor: >0,92 at full load, 115VAC-230VAC

Efficiency : 85% Typical

PH302400 is suitable driver for single colour: DM-C-G18-30xxx, DM-C-R08-30xxx, DM-R-R08-30xxx

PH3012 (LP1040-12)

Constant Voltage Output: **12VDC**



Safety : UL1310 - UL48 Class2 - cUL - FCC B - CE - RoHS

Protection classification: IP66

AC Input range: 100~240VAC / 0,5A / 50~60Hz

Watts: 30W

Operation Temp. : -30°C~+60°C Tc: 90°C

Power factor: >0,92 at full load, 115VAC-230VAC

Efficiency : 85% Typical

PH3012 is suitable driver for RGB: DM-C-G18-30MF

AC to DC switching power supply

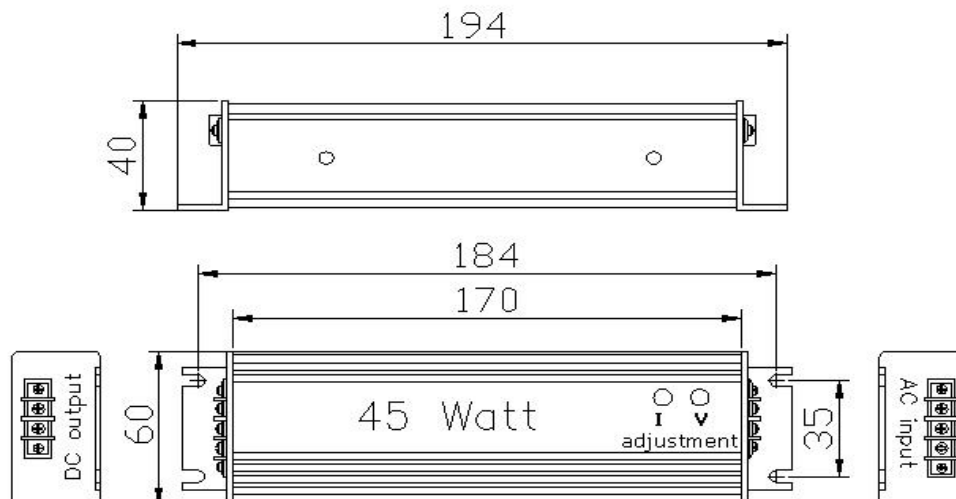
Ideal for MLED light engine

Specially designed, universal power driver from AC city power



DOMAĐ
LED TECH CO., LTD

45 Watt LED optimized drivers



dimensions in mm.

PH451800 (LP1060-24-TT--170)

Constant Current DC Output: 1,8A



Safety : UL1310 - UL48 Class2 - cUL - FCC B - CE - RoHS

Protection classification: IP66

AC Input range: 100~240VAC / 1~0,5A / 47~63Hz

DC Output: 13~24VDC

Watts: 45W

Operation Temp. : -25°C~+50°C Tc: 90°C

Power factor: >0,92 at full load, 115VAC-230VAC

Efficiency : 80% Typical

PH451800 is suitable driver for single colour:

DM-C-R09-60xxx DM-R-R12-45xxx

DM-C-R12-45xxx DM-R-R14-45xxx

DM-C-R14-45xxx

PH4524 (LP1060-24-TT--170)

Constant Voltage Output: 24VDC



Safety : UL1310 - UL48 Class2 - cUL - FCC B - CE - RoHS

Protection classification: IP66

AC Input range: 100~240VAC / 1~0,5A / 47~63Hz

Watts: 45W

Operation Temp. : -25°C~+50°C Tc: 90°C

Power factor: >0,92 at full load, 115VAC-230VAC

Efficiency : 80% Typical

PH4524 is suitable driver for RGB:

DM-C-R09-60MF DM-R-R12-45MF

DM-C-R12-45MF DM-R-R14-45MF

DM-C-R14-45MF

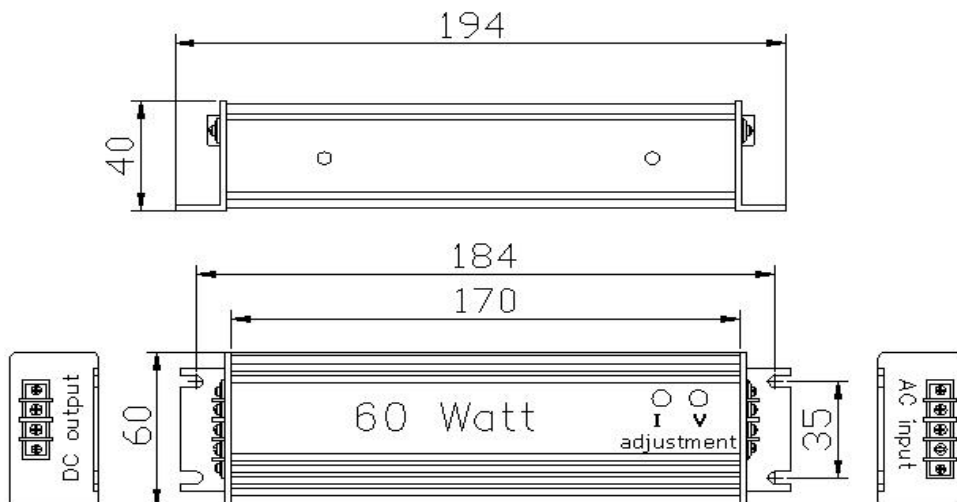
AC to DC switching power supply

Ideal for MLED light engine

Specially designed, universal power driver from AC city power



60 Watt LED optimized drivers



dimensions in mm.

PH602400 (LP1060-24-TT-170)

Constant Current DC Output: 2,15A



Safety : UL1310 - UL48 Class2 - cUL - FCC B - CE - RoHS

Protection classification: IP66

AC Input range: 100~240VAC / 1~0,5A / 47~63Hz

DC Output: 13~24VDC

Watts: 60W

Operation Temp. : -25°C~+50°C Tc: 90°C

Power factor: >0,92 at full load, 115VAC-230VAC

Efficiency : 80% Typical

PH602400 is suitable driver for single colour:

DM-C-R09-60xxx DM-R-R12-60xxx

DM-C-R12-60xxx DM-R-R14-60xxx

DM-C-R14-60xxx

PH6024 (LP1060-24-TT-170)

Constant Voltage Output: 24VDC



Safety : UL1310 - UL48 Class2 - cUL - FCC B - CE - RoHS

Protection classification: IP66

AC Input range: 100~240VAC / 1~0,5A / 47~63Hz

Watts: 60W

Operation Temp. : -25°C~+50°C Tc: 90°C

Power factor: >0,92 at full load, 115VAC-230VAC

Efficiency : 80% Typical

PH6024 is suitable driver for RGB:

DM-C-R09-60MF DM-R-R12-60MF

DM-C-R12-60MF DM-R-R14-60MF

DM-C-R14-60MF