

High Wattage LED Light Engine

Ideal for easy design of lighting application 5W ... 60W

Maxi chips packaged for excellent heat dissipation



DM-C-R10-15 series



DM-C-R10-15

beam angle: 100 deg.

forward current: 1,2A max.

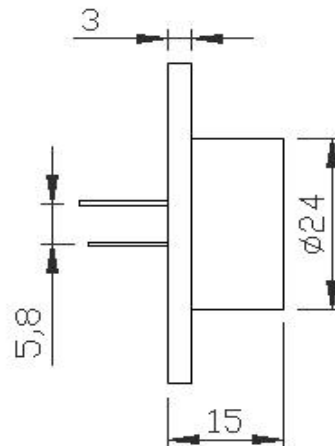
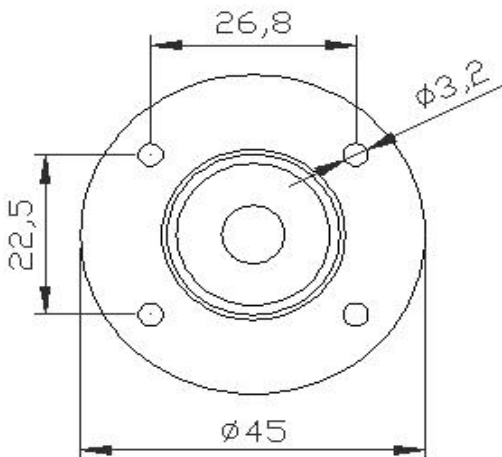
Thermal management:

lamp base efficiently drains heat from LED chips.

Secondary heat-sink has to be designed to assure correct thermal management within system operative limit conditions.

Check performance and stability of total system testing temperature of lamp base when coupled with secondary heat-sink and housing of your fixture.

Be sure that the temperature of lamp base never exceeds 80°C max. value.



dimensions in mm.

Some dimensions are subject to be changed without prior notice. Reconfirm data in case of critical application.

Part Nbr.	Color	Flux(lm)	λD (nm)		VDC			Driver (optional)
			CCT (°K)	min.	Typ.	max.		
DM-C-R10-15R	Red	450	620 nm	8,8	9,1	11,0	PH151200 I _{dc} 1.2A	
DM-C-R10-15G	Green	450	530 nm	11,0	11,2	11,4		
DM-C-R10-15B	Blue	120	470 nm	10,2	10,4	10,8		
DM-C-R10-15A	Amber	450	590 nm	8,8	9,1	11,0		
DM-C-R10-15W35	Warm White	420	3.500 °K	10,2	10,4	10,8		
DM-C-R10-15W60	White	450	6.000 °K	10,2	10,4	10,8		

High Wattage LED Light Engine

Ideal for easy design of lighting application 5W ... 60W

Maxi chips packaged for excellent heat dissipation



15 Watt

DM-C-R08-15 series



DM-C-R08-15

beam angle: 80 deg.

forward current: 1,2A max.

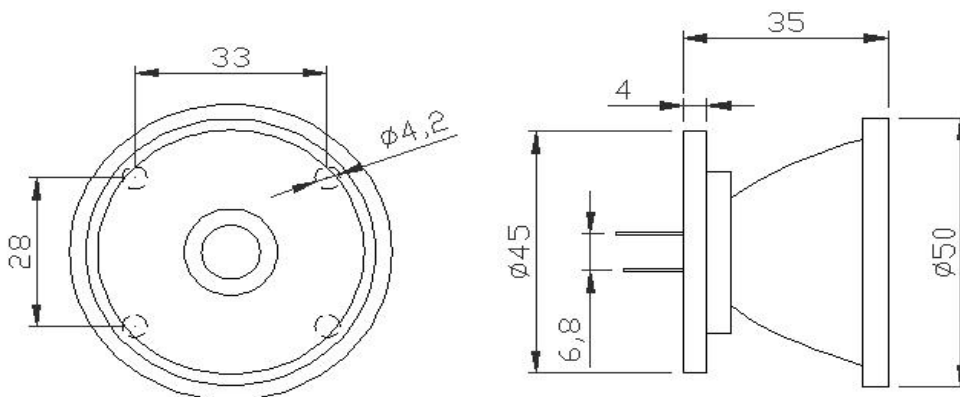
Thermal management:

lamp base efficiently drains heat from LED chips.

Secondary heat-sink has to be designed to assure correct thermal management within system operative limit conditions.

Check performance and stability of total system testing temperature of lamp base when coupled with secondary heat-sink and housing of your fixture.

Be sure that the temperature of lamp base never exceeds 80°C max. value.



dimensions in mm.

Some dimensions are subject to be changed without prior notice. Reconfirm data in case of critical application.

Part Nbr.	Color	Flux(lm)	λD (nm)		VDC			Driver (optional)
			CCT (°K)	min.	Typ.	max.		
DM-C-R08-15R	Red	450	620 nm	8,8	9,1	11,0	PH151200 Inc. 1.2A	
DM-C-R08-15G	Green	450	530 nm	11,0	11,2	11,4		
DM-C-R08-15B	Blue	120	470 nm	10,2	10,4	10,8		
DM-C-R08-15A	Amber	450	590 nm	8,8	9,1	11,0		
DM-C-R08-15W35	Warm White	420	3.500 °K	10,2	10,4	10,8		
DM-C-R08-15W60	White	450	6.000 °K	10,2	10,4	10,8		

High Wattage LED Light Engine

Ideal for easy design of lighting application 5W ... 60W

Maxi chips packaged for excellent heat dissipation



DOMAƏ
LED TECH CO., LTD

15 Watt

DM-CH-R14-15 series



DM-CH-R14-15

beam angle: 140 deg.
forward current: 1,2A max.

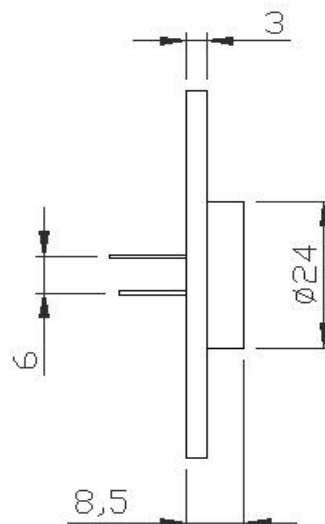
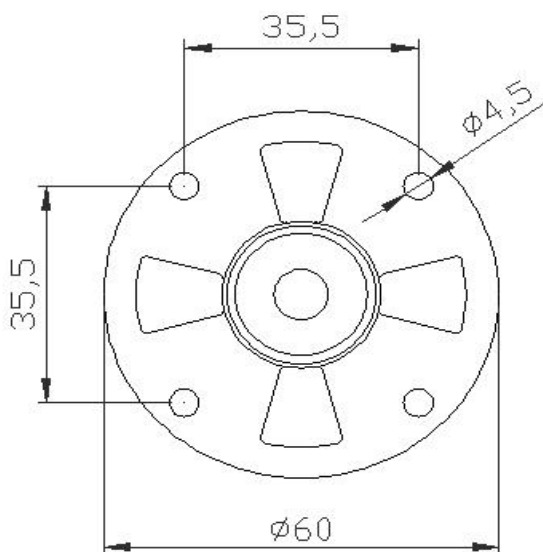
Thermal management:

lamp base efficiently drains heat from LED chips.

Secondary heat-sink has to be designed to assure correct thermal management within system operative limit conditions.

Check performance and stability of total system testing temperature of lamp base when coupled with secondary heat-sink and housing of your fixture.

Be sure that the temperature of lamp base never exceeds 80°C max. value.



dimensions in mm.

Some dimensions are subject to be changed without prior notice. Reconfirm data in case of critical application.

Part Nbr.	Color	Flux(lm)	λD (nm)		VDC			Driver (optional)
			CCT (°K)	min.	Typ.	max.		
DM-CH-R14-15R	Red	450	620	nm	8,8	9,1	11,0	PH151200 I _{DC} 1,2A
DM-CH-R14-15G	Green	450	530	nm	11,0	11,2	11,4	
DM-CH-R14-15B	Blue	120	470	nm	10,2	10,4	10,8	
DM-CH-R14-15A	Amber	450	590	nm	8,8	9,1	11,0	
DM-CH-R14-15W35	Warm White	420	3.500	°K	10,2	10,4	10,8	
DM-CH-R14-15W60	White	450	6.000	°K	10,2	10,4	10,8	

High Wattage LED Light Engine

Ideal for easy design of lighting application 5W ... 60W

Maxi chips packaged for excellent heat dissipation



DOMA
LED TECH CO., LTD

15 Watt

DM-R-R1609-15 series



DM-R-R1609-15

Beam angle: 160 deg. Horizontal 90 deg. Vertical
Forward current: 1,2A max.

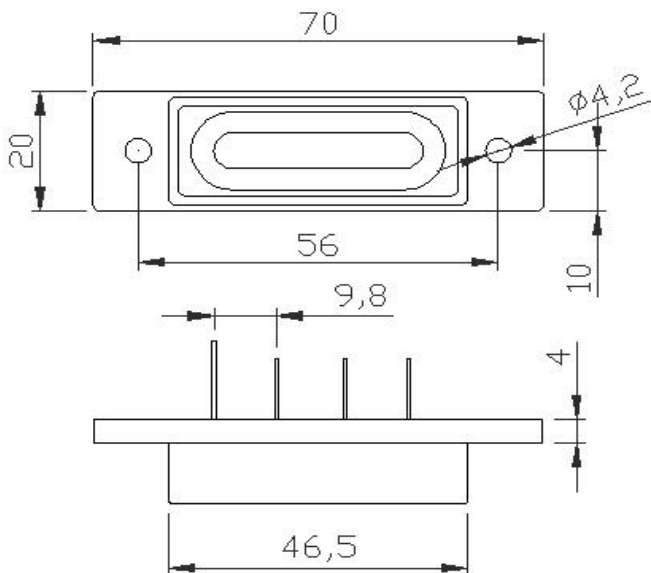
Thermal management:

lamp base efficiently drains heat from LED chips.

Secondary heat-sink has to be designed to assure correct thermal management within system operative limit conditions.

Check performance and stability of total system testing temperature of lamp base when coupled with secondary heat-sink and housing of your fixture.

Be sure that the temperature of lamp base never exceeds 80°C max. value.



dimensions in mm.

Some dimensions are subject to be changed without prior notice. Reconfirm data in case of critical application.

Part Nbr.	Color	Flux(lm)	λD (nm)		VDC			Driver (optional)
			CCT (°K)	min.	Typ.	max.		
DM-R-R1609-15R	Red	450	620 nm	8,8	9,1	11,0	PH151200 I _{DC} 1.2A	
DM-R-R1609-15G	Green	450	530 nm	11,0	11,2	11,4		
DM-R-R1609-15B	Blue	120	470 nm	10,2	10,4	10,8		
DM-R-R1609-15A	Amber	450	590 nm	8,8	9,1	11,0		
DM-R-R1609-15W35	Warm White	420	3.500 °K	10,2	10,4	10,8		
DM-R-R1609-15W60	White	450	6.000 °K	10,2	10,4	10,8		
DM-R-R1609-15MF	R.G.B.	R	150	620 nm	11,7	11,9	12,0	PH1515 V _{DC} 15
	full color	G	150	530 nm	14,6	14,9	15,2	
		B	40	470 nm	13,6	13,8	14,3	

AC to DC switching power supply

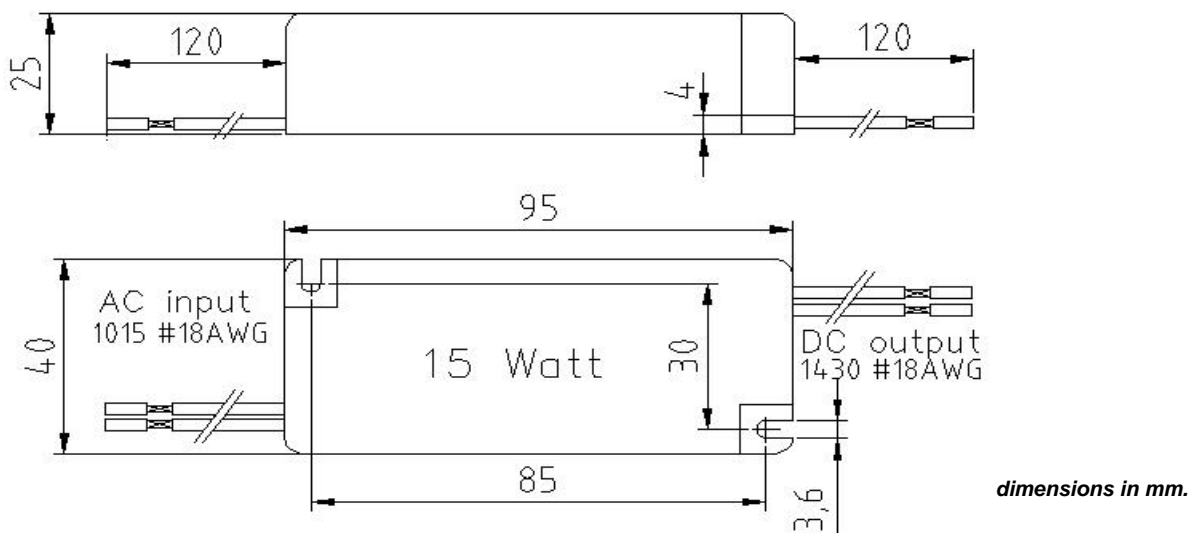
Ideal for MLED light engine

Specially designed, universal power driver from AC city power



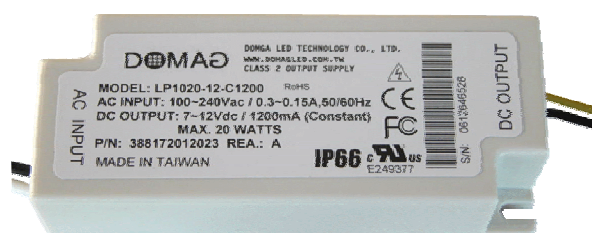
DOMAƏ
LED TECH CO., LTD

15 Watt LED optimized drivers



PH151200 (LP1020-12-C1200)

Constant Current DC Output: 1,2A



Safety : UL1310 - UL48 Class2 - cUL - FCC B - CE - RoHS

Protection classification: IP66

AC Input range: 100~240VAC / 0,3~0,15A / 50~60Hz

DC Output: 7~12VDC

Watts: 15W

Operation Temp. : -30°C~+60°C Tc: 90°C

Power factor: >0,92 at full load, 115VAC-230VAC

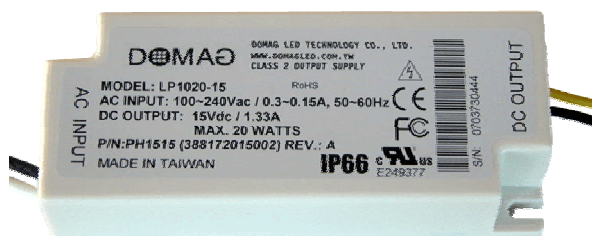
Efficiency : 85% Typical

PH151200 is suitable driver for single colour:

DM-C-R10-15xx, DM-C-R14-15xx, DM-C-R08-15xx, DM-CH-R14-15xx, DM-R-R1609-15xx

PH1515 (LP1020-15)

Constant Voltage Output: 15VDC



Safety : UL1310 - UL48 Class2 - cUL - FCC B - CE - RoHS

Protection classification: IP66

AC Input range: 100~240VAC / 0,3~0,15A / 50~60Hz

Watts: 15W

Operation Temp. : -30°C~+60°C Tc: 90°C

Power factor: >0,92 at full load, 115VAC-230VAC

Efficiency : 85% Typical

PH1515 is suitable driver for RGB:

DM-R-R1609-15MF