

High Wattage LED Light Engine

Ideal for easy design of lighting application 5W ... 60W

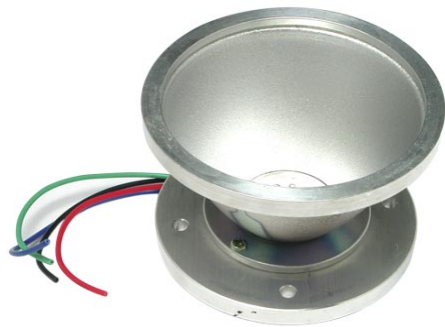
Maxi chips packaged for excellent heat dissipation



DOMAƏ
LED TECH CO., LTD

45 Watt

DM-C-R12-45 series



DM-C-R12-45

beam angle: 120 deg.

forward current: 1,8A max.

Thermal management:

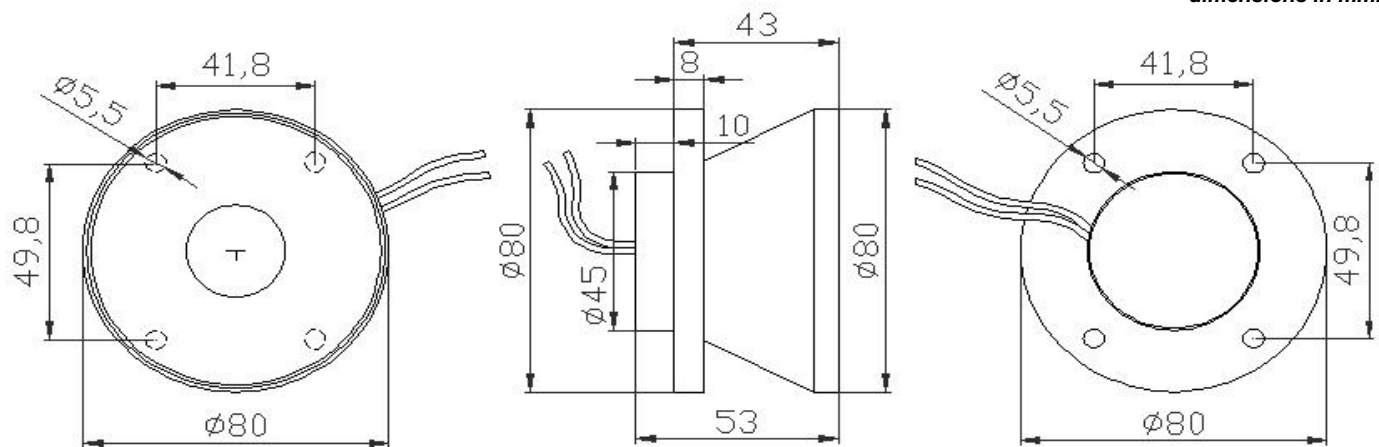
lamp base efficiently drains heat from LED chips.

Secondary heat-sink has to be designed to assure correct thermal management within system operative limit conditions.

Check performance and stability of total system testing temperature of lamp base when coupled with secondary heat-sink and housing of your fixture.

Be sure that the temperature of lamp base never exceeds 80°C max. value.

dimensions in mm.



Some dimensions are subject to be changed without prior notice. Reconfirm data in case of critical application.

Part Nbr.	Color	Flux(lm)	λD (nm)			VDC			Driver (optional)
			CCT (°K)	min.	Typ.	max.			
DM-C-R12-45R	Red	1.350	620 nm	17,6	18,2	22,1	PH451800 I _{DC} 1,8A		
DM-C-R12-45G	Green	1.350	530 nm	21,9	22,4	22,8			
DM-C-R12-45B	Blue	360	470 nm	20,5	20,7	21,5			
DM-C-R12-45A	Amber	1.350	590 nm	17,6	18,2	22,1			
DM-C-R12-45W35	Warm White	1.260	3.500 °K	20,5	20,7	21,5			
DM-C-R12-45W60	White	1.350	6.000 °K	20,5	20,7	21,5			
DM-C-R12-45MH	hi pressure sodium color	1.350	3.000 °K	21,2	22,0	22,8			
DM-C-R12-45MF	R.G.B. full color	R	450	620 nm	23,4	23,8	24,0	PH4524 V _{DC} 24	
		G	450	525 nm	21,9	22,4	22,7		
		B	120	470 nm	20,5	20,7	21,5		

High Wattage LED Light Engine

Ideal for easy design of lighting application 5W ... 60W

Maxi chips packaged for excellent heat dissipation



45 Watt

DM-C-R14-45 series



DM-C-R14-45

beam angle: 140 deg.

forward current: 1,8A max.

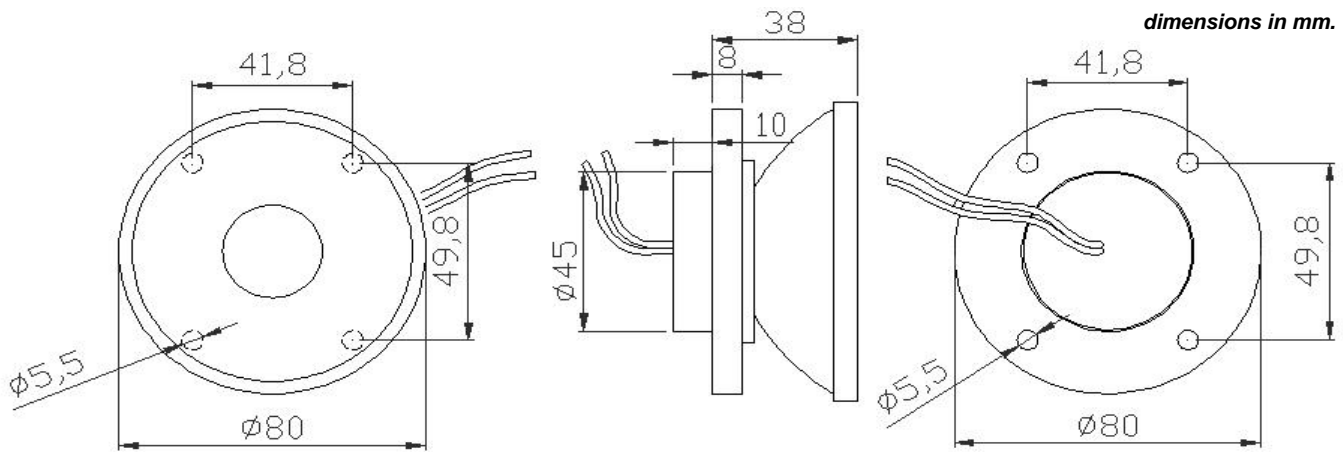
Thermal management:

lamp base efficiently drains heat from LED chips.

Secondary heat-sink has to be designed to assure correct thermal management within system operative limit conditions.

Check performance and stability of total system testing temperature of lamp base when coupled with secondary heat-sink and housing of your fixture.

Be sure that the temperature of lamp base never exceeds 80°C max. value.



Some dimensions are subject to be changed without prior notice. Reconfirm data in case of critical application.

Part Nbr.	Color	Flux(lm)	λD (nm)		VDC			Driver (optional)	
			CCT (°K)	min.	Typ.	max.			
DM-C-R14-45R	Red	1.350	620	nm	17,6	18,2	22,1	PH451800 I _{dc} 1,8A	
DM-C-R14-45G	Green	1.350	530	nm	21,9	22,4	22,8		
DM-C-R14-45B	Blue	360	470	nm	20,5	20,7	21,5		
DM-C-R14-45A	Amber	1.350	590	nm	17,6	18,2	22,1		
DM-C-R14-45W35	Warm White	1.260	3.500	°K	20,5	20,7	21,5		
DM-C-R14-45W60	White	1.350	6.000	°K	20,5	20,7	21,5		
DM-C-R14-45MH	hi pressure sodium color	1.350	3.000	°K	21,2	22,0	22,8		
DM-C-R14-45MF	R.G.B. full color	R	450	620	nm	23,4	23,8	24,0	PH4524 V _{dc} 24
		G	450	525	nm	21,9	22,4	22,7	
		B	120	470	nm	20,5	20,7	21,5	

High Wattage LED Light Engine

Ideal for easy design of lighting application 5W ... 60W

Maxi chips packaged for excellent heat dissipation



DOMAƏ
LED TECH CO., LTD

45 Watt

DM-C-R09-45 series



DM-C-R09-45

beam angle: 90 deg.

forward current: 1,8A max.

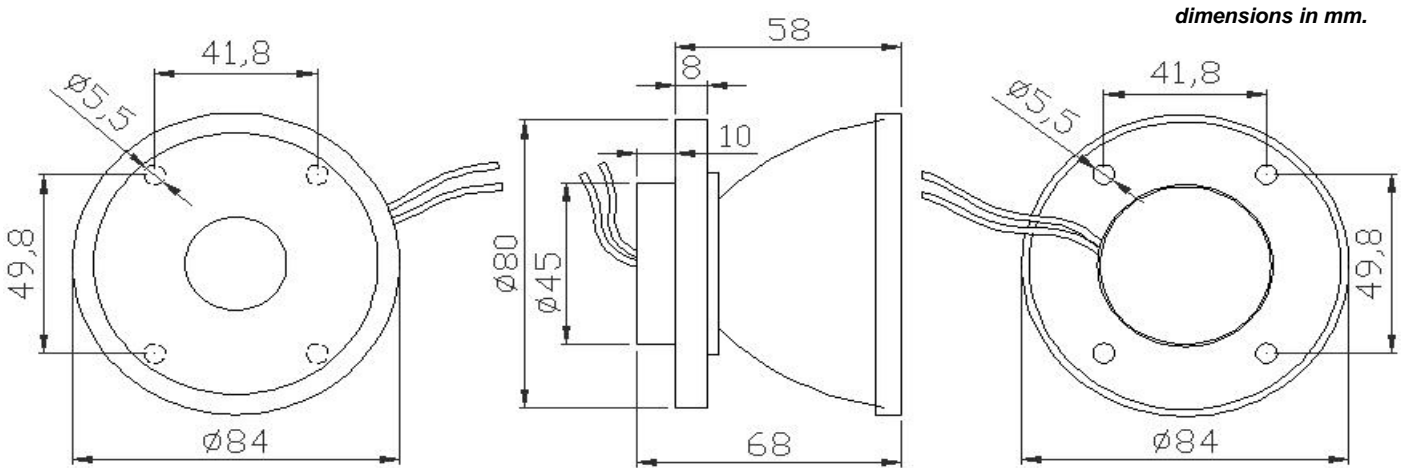
Thermal management:

lamp base efficiently drains heat from LED chips.

Secondary heat-sink has to be designed to assure correct thermal management within system operative limit conditions.

Check performance and stability of total system testing temperature of lamp base when coupled with secondary heat-sink and housing of your fixture.

Be sure that the temperature of lamp base never exceeds 80°C max. value.



Some dimensions are subject to be changed without prior notice. Reconfirm data in case of critical application.

Part Nbr.	Color	Flux(lm)	λD (nm)			VDC			Driver (optional)
			CCT (°K)	min.	Typ.	max.			
DM-C-R09-45R	Red	1.350	620 nm	17,6	18,2	22,1	PH451800 I _{dc} 1,8A		
DM-C-R09-45G	Green	1.350	530 nm	21,9	22,4	22,8			
DM-C-R09-45B	Blue	360	470 nm	20,5	20,7	21,5			
DM-C-R09-45A	Amber	1.350	590 nm	17,6	18,2	22,1			
DM-C-R09-45W35	Warm White	1.260	3.500 °K	20,5	20,7	21,5			
DM-C-R09-45W60	White	1.350	6.000 °K	20,5	20,7	21,5			
DM-C-R09-45MH	hi pressure sodium color	1.350	3.000 °K	21,2	22,0	22,8			
DM-C-R09-45MF	R.G.B. full color	R	450	620 nm	23,4	23,8	24,0	PH4524 V _{dc} 24	
		G	450	525 nm	21,9	22,4	22,7		
		B	120	470 nm	20,5	20,7	21,5		

High Wattage LED Light Engine

Ideal for easy design of lighting application 5W ... 60W

Maxi chips packaged for excellent heat dissipation



45 Watt

DM-R-R14-45 series



DM-R-R14-45

beam angle: 140 deg.

forward current: 1,8A max.

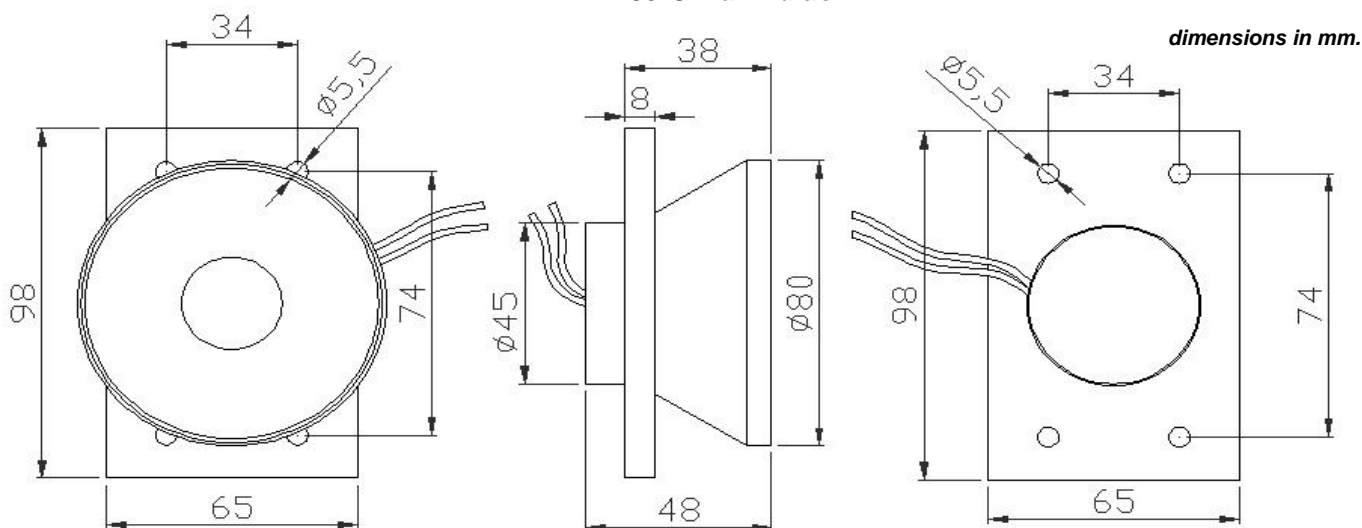
Thermal management:

lamp base efficiently drains heat from LED chips.

Secondary heat-sink has to be designed to assure correct thermal management within system operative limit conditions.

Check performance and stability of total system testing temperature of lamp base when coupled with secondary heat-sink and housing of your fixture.

Be sure that the temperature of lamp base never exceeds 80°C max. value.



Some dimensions are subject to be changed without prior notice. Reconfirm data in case of critical application.

Part Nbr.	Color	Flux(lm)	λD (nm)		VDC			Driver (optional)
			CCT (°K)	min.	Typ.	max.		
DM-R-R14-45R	Red	1.350	620 nm	17,6	18,2	22,1	PH451800 I _{dc} 1,8A	
DM-R-R14-45G	Green	1.350	530 nm	21,9	22,4	22,8		
DM-R-R14-45B	Blue	360	470 nm	20,5	20,7	21,5		
DM-R-R14-45A	Amber	1.350	590 nm	17,6	18,2	22,1		
DM-R-R14-45W35	Warm White	1.260	3.500 °K	20,5	20,7	21,5		
DM-R-R14-45W60	White	1.350	6.000 °K	20,5	20,7	21,5		
DM-R-R14-45MH	hi pressure sodium color	1.350	3.000 °K	21,2	22,0	22,8		
DM-R-R14-45MF	R.G.B. full color	R	450	620 nm	23,4	23,8	24,0	PH4524 V _{dc} 24
		G	450	525 nm	21,9	22,4	22,7	
		B	120	470 nm	20,5	20,7	21,5	

High Wattage LED Light Engine

Ideal for easy design of lighting application 5W ... 60W

Maxi chips packaged for excellent heat dissipation



DOMAƏ
LED TECH CO., LTD

45 Watt

DM-R-R12-45 series



DM-R-R12-45

beam angle: 120 deg.

forward current: 1,8A max.

Thermal management:

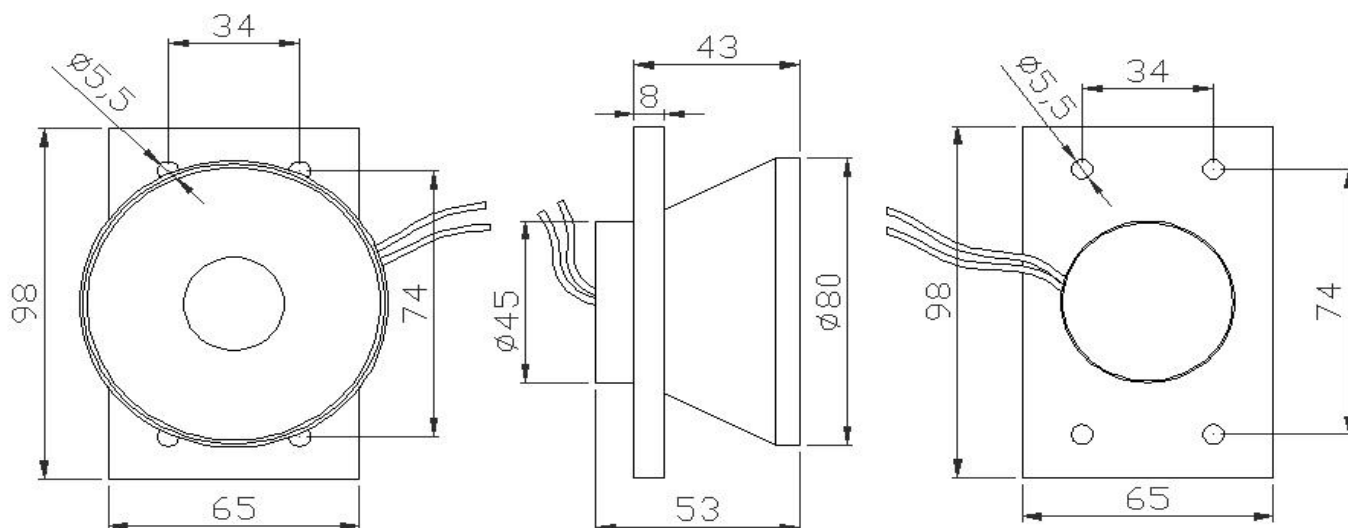
lamp base efficiently drains heat from LED chips.

Secondary heat-sink has to be designed to assure

correct thermal management within system operative limit conditions.

Check performance and stability of total system testing temperature of lamp base when coupled with secondary heat-sink and housing of your fixture.

Be sure that the temperature of lamp base never exceeds 80°C max. value.



Some dimensions are subject to be changed without prior notice. Reconfirm data in case of critical application.

Part Nbr.	Color	Flux(lm)	λD (nm)		VDC			Driver (optional)
			CCT (°K)	min.	Typ.	max.		
DM-R-R12-45R	Red	1.350	620 nm	17,6	18,2	22,1	PH451800 I _{dc} 1,8A	
DM-R-R12-45G	Green	1.350	530 nm	21,9	22,4	22,8		
DM-R-R12-45B	Blue	360	470 nm	20,5	20,7	21,5		
DM-R-R12-45A	Amber	1.350	590 nm	17,6	18,2	22,1		
DM-R-R12-45W35	Warm White	1.260	3.500 °K	20,5	20,7	21,5		
DM-R-R12-45W60	White	1.350	6.000 °K	20,5	20,7	21,5		
DM-R-R12-45MH	hi pressure sodium color	1.350	3.000 °K	21,2	22,0	22,8		
DM-R-R12-45MF	R.G.B. full color	R	450	620 nm	23,4	23,8	24,0	PH4524 V _{dc} 24
		G	450	525 nm	21,9	22,4	22,7	
		B	120	470 nm	20,5	20,7	21,5	

AC to DC switching power supply

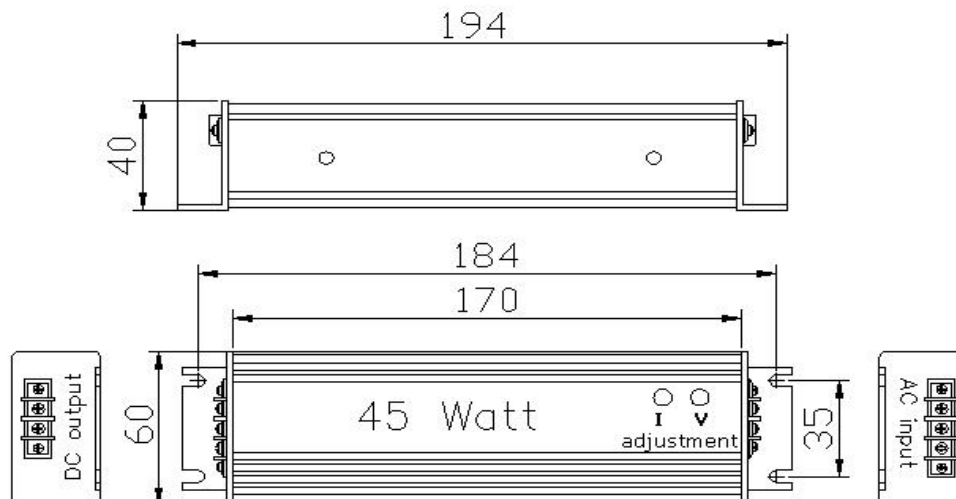
Ideal for MLED light engine

Specially designed, universal power driver from AC city power



DOMA
LED TECH CO., LTD

45 Watt LED optimized drivers



dimensions in mm.

PH451800 (LP1060-24-TT--170)

Constant Current DC Output: 1,8A



Safety : UL1310 - UL48 Class2 - cUL - FCC B - CE - RoHS

Protection classification: IP66

AC Input range: 100~240VAC / 1~0,5A / 47~63Hz

DC Output: 13~24VDC

Watts: 45W

Operation Temp. : -25°C~+50°C Tc: 90°C

Power factor: >0,92 at full load, 115VAC-230VAC

Efficiency : 80% Typical

PH451800 is suitable driver for single colour:

DM-C-R09-60xxx DM-R-R12-45xxx

DM-C-R12-45xxx DM-R-R14-45xxx

DM-C-R14-45xxx

PH4524 (LP1060-24-TT--170)

Constant Voltage Output: 24VDC



Safety : UL1310 - UL48 Class2 - cUL - FCC B - CE - RoHS

Protection classification: IP66

AC Input range: 100~240VAC / 1~0,5A / 47~63Hz

Watts: 45W

Operation Temp. : -25°C~+50°C Tc: 90°C

Power factor: >0,92 at full load, 115VAC-230VAC

Efficiency : 80% Typical

PH4524 is suitable driver for RGB:

DM-C-R09-60MF DM-R-R12-45MF

DM-C-R12-45MF DM-R-R14-45MF

DM-C-R14-45MF