

High Wattage LED Light Engine

Ideal for easy design of lighting application 5W ... 60W

Maxi chips packaged for excellent heat dissipation



DOMAƏ LED TECH CO., LTD
60 Watt

DM-C-R14-60 series



DM-C-R14-60

beam angle: 140 deg.

forward current: 2,4A max.

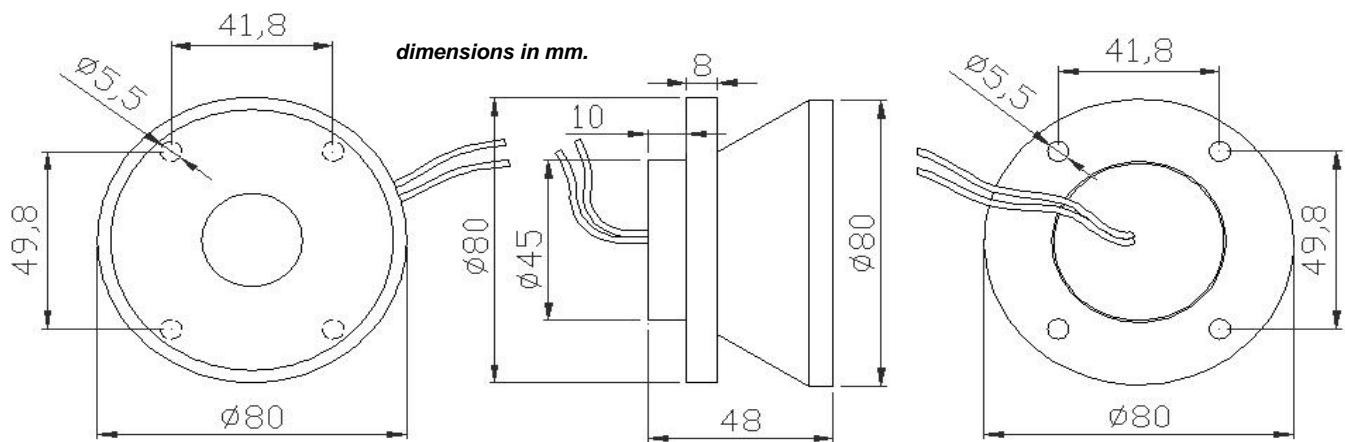
Thermal management:

lamp base efficiently drains heat from LED chips.

Secondary heat-sink has to be designed to assure correct thermal management within system operative limit conditions.

Check performance and stability of total system testing temperature of lamp base when coupled with secondary heat-sink and housing of your fixture.

Be sure that the temperature of lamp base never exceeds 80°C max. value.



Some dimensions are subject to be changed without prior notice. Reconfirm data in case of critical application.

Part Nbr.	Color	Flux(lm)	λD (nm)		VDC			Driver (optional)
			CCT (°K)	min.	Typ.	max.		
DM-C-R14-60R	Red	1.800	620 nm	17,6	18,2	22,1	PH602400 I _{dc} 2,4A	
DM-C-R14-60G	Green	1.800	530 nm	21,9	22,4	22,8		
DM-C-R14-60B	Blue	480	470 nm	20,5	20,7	21,5		
DM-C-R14-60A	Amber	1.800	590 nm	17,6	18,2	22,1		
DM-C-R14-60W35	Warm White	1.680	3.500 °K	20,5	20,7	21,5		
DM-C-R14-60W60	White	1.800	6.000 °K	20,5	20,7	21,5		
DM-C-R14-60MH	hi pressure sodium color	1.800	3.000 °K	21,2	22,0	22,8		
DM-C-R14-60MF	R.G.B. full color	R	600	620 nm	23,4	23,8	24,0	PH6024 V _{dc} 24
		G	600	525 nm	21,9	22,4	22,7	
		B	160	470 nm	20,5	20,7	21,5	

High Wattage LED Light Engine

Ideal for easy design of lighting application 5W ... 60W

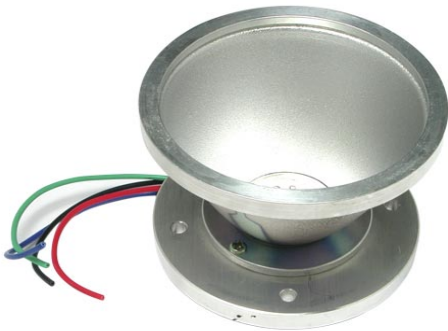
Maxi chips packaged for excellent heat dissipation



DOMAƏ
LED TECH CO.,LTD

60 Watt

DM-C-R12-60 series



DM-C-R12-60

beam angle: 120 deg.

forward current: 2,4A max.

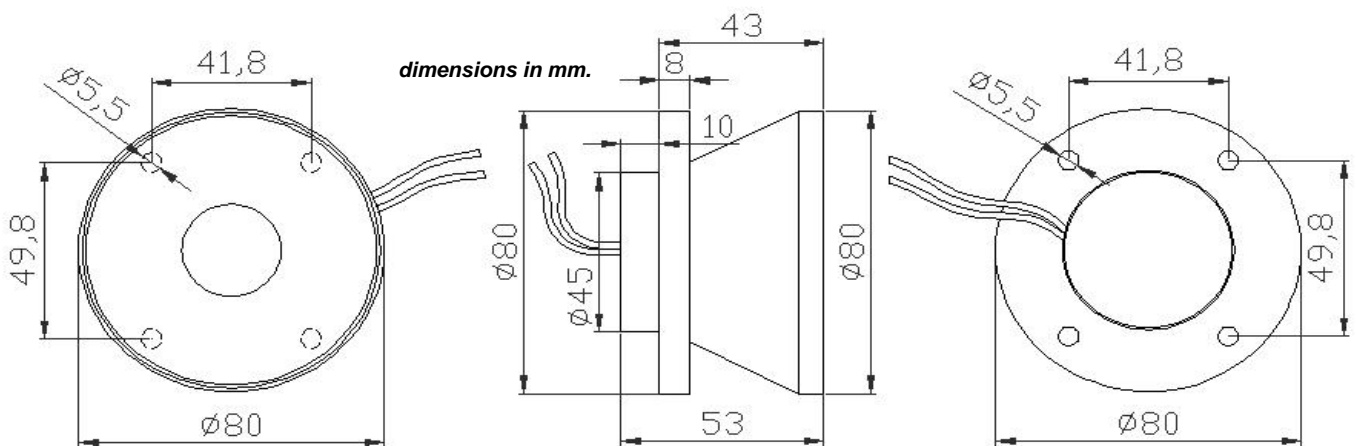
Thermal management:

lamp base efficiently drains heat from LED chips.

Secondary heat-sink has to be designed to assure correct thermal management within system operative limit conditions.

Check performance and stability of total system testing temperature of lamp base when coupled with secondary heat-sink and housing of your fixture.

Be sure that the temperature of lamp base never exceeds 80°C max. value.



Some dimensions are subject to be changed without prior notice. Reconfirm data in case of critical application.

Part Nbr.	Color	Flux(lm)	λD (nm)		VDC			Driver (optional)
			CCT (°K)	min.	Typ.	max.		
DM-C-R12-60R	Red	1.800	620 nm	17,6	18,2	22,1	PH602400 I _{DC} 2,4A	
DM-C-R12-60G	Green	1.800	530 nm	21,9	22,4	22,8		
DM-C-R12-60B	Blue	480	470 nm	20,5	20,7	21,5		
DM-C-R12-60A	Amber	1.800	590 nm	17,6	18,2	22,1		
DM-C-R12-60W35	Warm White	1.680	3.500 °K	20,5	20,7	21,5		
DM-C-R12-60W60	White	1.800	6.000 °K	20,5	20,7	21,5		
DM-C-R12-60MH	hi pressure sodium color	1.800	3.000 °K	21,2	22,0	22,8		
DM-C-R12-60MF	R.G.B. full color	R	600	620 nm	23,4	23,8	24,0	PH6024 V _{DC} 24
		G	600	525 nm	21,9	22,4	22,7	
		B	160	470 nm	20,5	20,7	21,5	

High Wattage LED Light Engine

Ideal for easy design of lighting application 5W ... 60W

Maxi chips packaged for excellent heat dissipation



DOMAƏ
LED TECH CO.,LTD

60 Watt

DM-C-R09-60 series



DM-C-R09-60

beam angle: 90 deg.

forward current: 2,4A max.

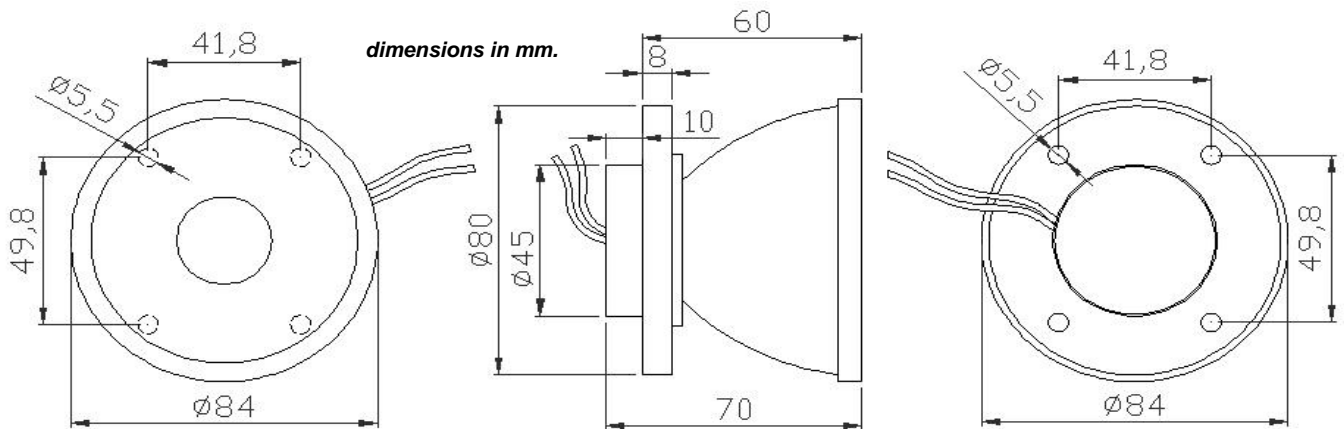
Thermal management:

lamp base efficiently drains heat from LED chips.

Secondary heat-sink has to be designed to assure correct thermal management within system operative limit conditions.

Check performance and stability of total system testing temperature of lamp base when coupled with secondary heat-sink and housing of your fixture.

Be sure that the temperature of lamp base never exceeds 80°C max. value.

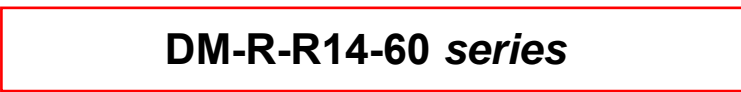


Some dimensions are subject to be changed without prior notice. Reconfirm data in case of critical application.

Part Nbr.	Color	Flux(lm)	λD (nm)			VDC			Driver (optional)
			CCT (°K)	min.	Typ.	max.			
DM-C-R09-60R	Red	1.800	620 nm	17,6	18,2	22,1	PH602400 I _{dc} 2,4A		
DM-C-R09-60G	Green	1.800	530 nm	21,9	22,4	22,8			
DM-C-R09-60B	Blue	480	470 nm	20,5	20,7	21,5			
DM-C-R09-60A	Amber	1.800	590 nm	17,6	18,2	22,1			
DM-C-R09-60W35	Warm White	1.680	3.500 °K	20,5	20,7	21,5			
DM-C-R09-60W60	White	1.800	6.000 °K	20,5	20,7	21,5			
DM-C-R09-60MH	hi pressure sodium color	1.800	3.000 °K	21,2	22,0	22,8			
DM-C-R09-60MF	R.G.B. full color	R	600	620 nm	23,4	23,8	24,0	PH6024 V _{dc} 24	
		G	600	525 nm	21,9	22,4	22,7		
		B	160	470 nm	20,5	20,7	21,5		

High Wattage LED Light Engine

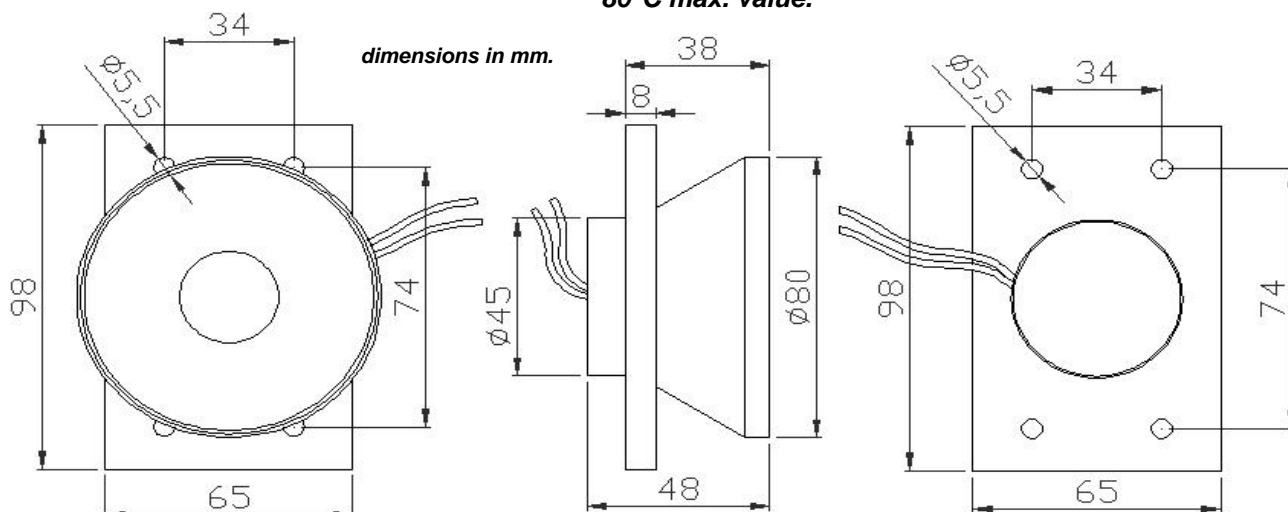
Ideal for easy design of lighting application 5W ... 60W
Maxi chips packaged for excellent heat dissipation



DM-R-R14-60

beam angle: 140 deg.
forward current: 2,4A max.

Thermal management:
lamp base efficiently drains heat from LED chips.
Secondary heat-sink has to be designed to assure correct thermal management within system operative limit conditions.
Check performance and stability of total system testing temperature of lamp base when coupled with secondary heat-sink and housing of your fixture.
Be sure that the temperature of lamp base never exceeds 80°C max. value.



Some dimensions are subject to be changed without prior notice. Reconfirm data in case of critical application.

Part Nbr.	Color	Flux(lm)	λD (nm)		VDC			Driver (optional)	
			CCT (°K)	min.	Typ.	max.			
DM-R-R14-60R	Red	1.800	620	nm	17,6	18,2	22,1	PH602400 I _{dc} 2,4A	
DM-R-R14-60G	Green	1.800	530	nm	21,9	22,4	22,8		
DM-R-R14-60B	Blue	480	470	nm	20,5	20,7	21,5		
DM-R-R14-60A	Amber	1.800	590	nm	17,6	18,2	22,1		
DM-R-R14-60W35	Warm White	1.680	3.500	°K	20,5	20,7	21,5		
DM-R-R14-60W60	White	1.800	6.000	°K	20,5	20,7	21,5		
DM-R-R14-60MH	hi pressure sodium color	1.800	3.000	°K	21,2	22,0	22,8		
DM-R-R14-60MF	R.G.B. full color	R	600	620	nm	23,4	23,8	24,0	PH6024 V _{dc} 24
		G	600	525	nm	21,9	22,4	22,7	
		B	160	470	nm	20,5	20,7	21,5	

High Wattage LED Light Engine

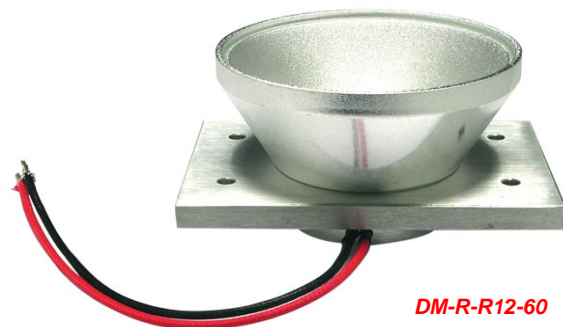
Ideal for easy design of lighting application 5W ... 60W

Maxi chips packaged for excellent heat dissipation



60 Watt

DM-R-R12-60 series



DM-R-R12-60

beam angle: 120 deg.

forward current: 2,4A max.

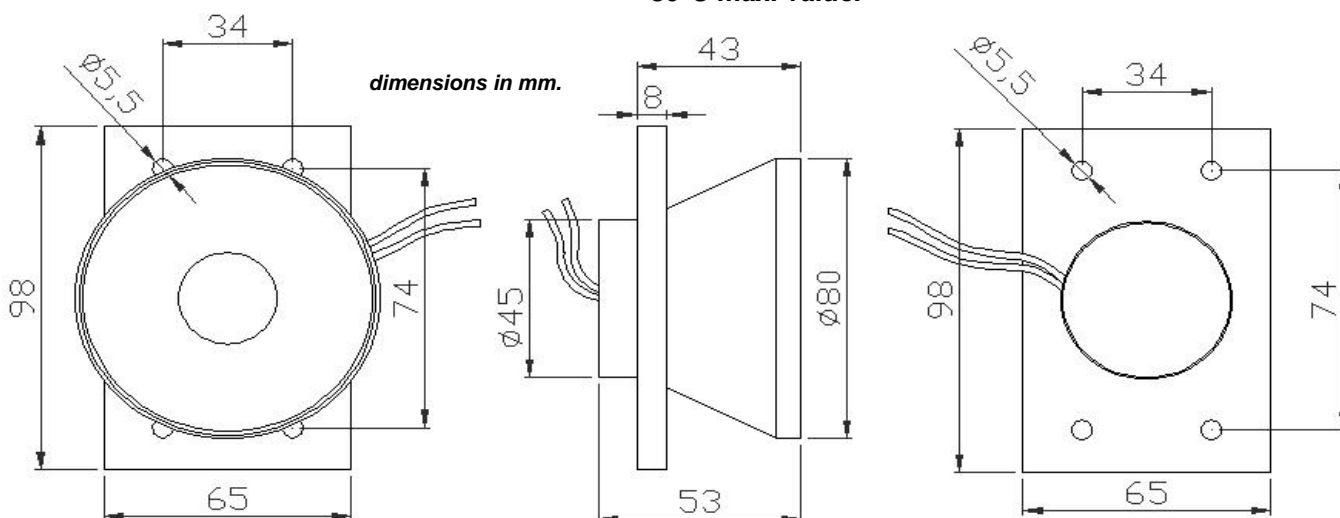
Thermal management:

lamp base efficiently drains heat from LED chips.

Secondary heat-sink has to be designed to assure correct thermal management within system operative limit conditions.

Check performance and stability of total system testing temperature of lamp base when coupled with secondary heat-sink and housing of your fixture.

Be sure that the temperature of lamp base never exceeds 80°C max. value.



Some dimensions are subject to be changed without prior notice. Reconfirm data in case of critical application.

Part Nbr.	Color	Flux(lm)	λD (nm)			VDC			Driver (optional)
			CCT (°K)	min.	Typ.	max.			
DM-R-R12-60R	Red	1.800	620 nm	17,6	18,2	22,1	PH602400 I _{dc} 2,4A		
DM-R-R12-60G	Green	1.800	530 nm	21,9	22,4	22,8			
DM-R-R12-60B	Blue	480	470 nm	20,5	20,7	21,5			
DM-R-R12-60A	Amber	1.800	590 nm	17,6	18,2	22,1			
DM-R-R12-60W35	Warm White	1.680	3.500 °K	20,5	20,7	21,5			
DM-R-R12-60W60	White	1.800	6.000 °K	20,5	20,7	21,5			
DM-R-R12-60MH	hi pressure sodium color	1.800	3.000 °K	21,2	22,0	22,8			
DM-R-R12-60MF	R.G.B. full color	R	600	620 nm	23,4	23,8	24,0	PH6024 V _{dc} 24	
		G	600	525 nm	21,9	22,4	22,7		
		B	160	470 nm	20,5	20,7	21,5		

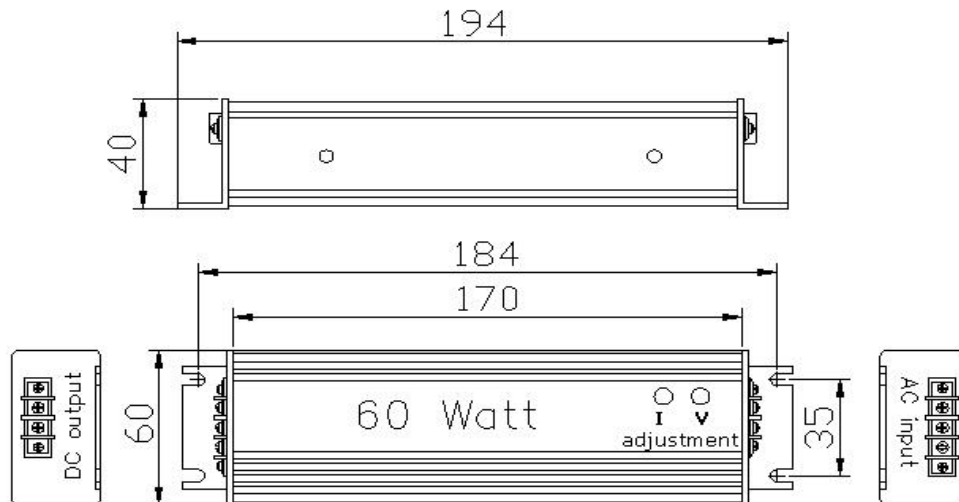
AC to DC switching power supply

Ideal for MLED light engine

Specially designed, universal power driver from AC city power



60 Watt LED optimized drivers



dimensions in mm.

PH602400 (LP1060-24-TT-170)

Constant Current DC Output: 2,15A



Safety : UL1310 - UL48 Class2 - cUL - FCC B - CE - RoHS
Protection classification: IP66

AC Input range: 100~240VAC / 1~0,5A / 47~63Hz

DC Output: 13~24VDC

Watts: 60W

Operation Temp. : -25°C~+50°C Tc: 90°C

Power factor: >0,92 at full load, 115VAC-230VAC

Efficiency : 80% Typical

PH602400 is suitable driver for single colour:

DM-C-R09-60xxx DM-R-R12-60xxx

DM-C-R12-60xxx DM-R-R14-60xxx

DM-C-R14-60xxx

PH6024 (LP1060-24-TT-170)

Constant Voltage Output: 24VDC



Safety : UL1310 - UL48 Class2 - cUL - FCC B - CE - RoHS
Protection classification: IP66

AC Input range: 100~240VAC / 1~0,5A / 47~63Hz

Watts: 60W

Operation Temp. : -25°C~+50°C Tc: 90°C

Power factor: >0,92 at full load, 115VAC-230VAC

Efficiency : 80% Typical

PH6024 is suitable driver for RGB:

DM-C-R09-60MF DM-R-R12-60MF

DM-C-R12-60MF DM-R-R14-60MF

DM-C-R14-60MF