

High Wattage LED Light Engine

Ideal for easy design of lighting application 5W ... 60W

Maxi chips packaged for excellent heat dissipation



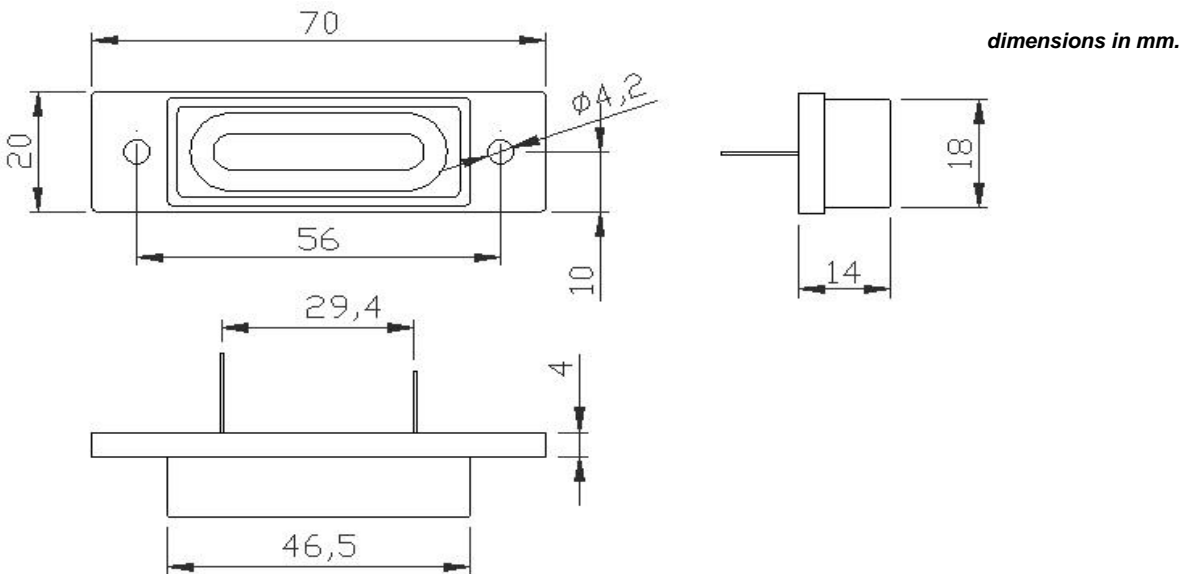
DM-R-R1609-9 series



DM-R-R1609-9

Beam angle: 160 deg. Horizontal 90 deg. Vertical
Forward current: 400mA max.

Thermal management:
 lamp base efficiently drains heat from LED chips.
 Secondary heat-sink has to be designed to assure correct thermal management within system operative limit conditions.
 Check performance and stability of total system testing temperature of lamp base when coupled with secondary heat-sink and housing of your fixture.
 Be sure that the temperature of lamp base never exceeds 80°C max. value.



Some dimensions are subject to be changed without prior notice. Reconfirm data in case of critical application.

Part Nbr.	Color	Flux(lm)	λD (nm)			VDC			Driver (optional)
			min.	typ.	max.	min.	typ.	max.	
DM-R-R1609-9MF	R.G.B. full color	R	90	620 nm	6,8	6,8	8,3	PH1012 V _{DC} 10	
		G	90	530 nm	7,3	7,5	7,6		
		B	24	470 nm	6,8	6,9	7,2		

AC to DC switching power supply

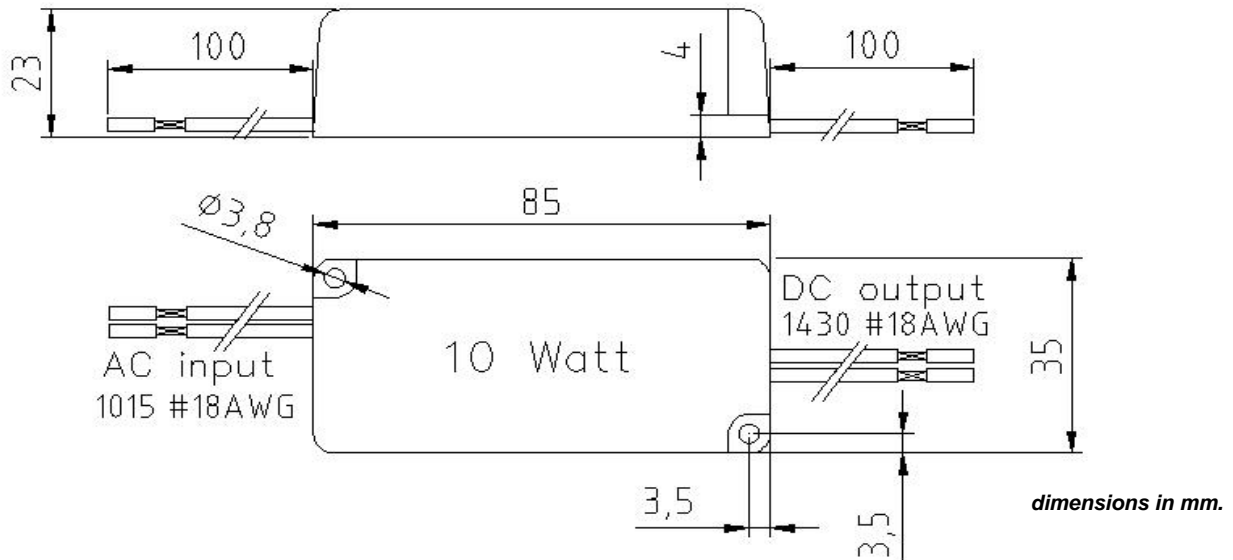
Ideal for MLED light engine

Specially designed, universal power driver from AC city power



DOMA
LED TECH CO., LTD

10 Watt LED optimized drivers



PH10800 (LA1012-16-C0800)

Constant Current DC Output: 0,8A



PH10800 is suitable driver for single colour:

DM-C-R14-10xxx DM-C-R08-10xxx
DM-C-R10-10xxx DM-CH-R14-10xxx
DM-R-R1609-10xxx

Safety : UL1310 - Class2 - cUL - FCC B - CE - RoHS

Protection classification: IP66

AC Input range: 90~264VAC / 0,2~0,1A / 47~63Hz

DC Output: 2~16VDC

Watts: 10W

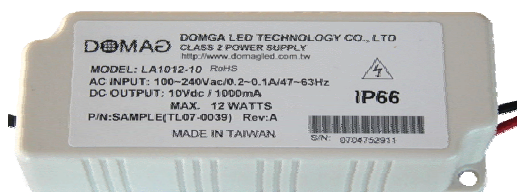
Operation Temp. : -40°C~+70°C Tc: 90°C

Power factor: >0,6 at full load, 115VAC-230VAC

Efficiency : 75% Typical

PH1012 (LA1012-10)

Constant Voltage Output: 10VDC



PH1012 is suitable driver for RGB:

DM-R-R1609-9MF

Safety : UL1310 - Class2 - cUL - FCC B - CE - RoHS

Protection classification: IP66

AC Input range: 90~264VAC / 0,2~0,1A / 47~63Hz

Watts: 10W

Operation Temp. : -40°C~+70°C Tc: 90°C

Power factor: >0,6 at full load, 115VAC-230VAC

Efficiency : 75% Typical