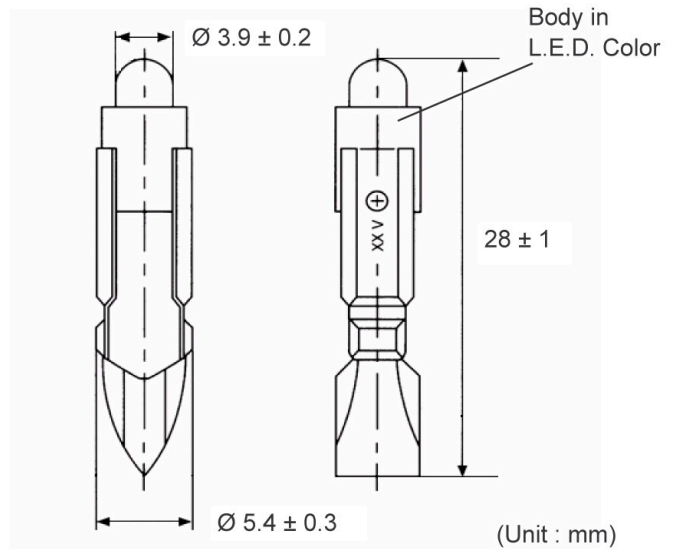
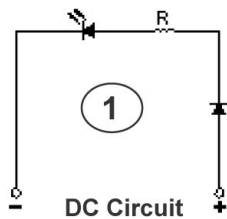


Single LED based series

T5.5 Telephone Slide Base



T_{OPR.} -25° ~ +60°C

T_{STG.} -30° ~ +85°C

Type	Die Emitting Color	Lens Color	Chip Construction	Peak Wavelength λ _p (nm)	Viewing Angle 2θ _{1/2}	L.E.D. Luminous Intensity I _v (mcd @20mA T _a 25°C)	
						Typ.	Max.
XR 50	Red	Water Clear	AlGaInP / Gap	620 ~ 625 nm	50°	2.000 ~ 3.000	
XY 50	Yellow	Water Clear	AlGaInP / Gap	585 ~ 590 nm	50°	2.000 ~ 3.000	
UG 50	Green	Water Clear	InGaN / Sic	515 ~ 525 nm	50°	3.000 ~ 4.000	
XB 50	Blue	Water Clear	InGaN / Sic	460 ~ 465 nm	50°	3.000 ~ 4.000	
XW 50	White	Water Clear	InGaN / Sic	x =0,31 y =0,32	50°	3.000 ~ 4.000	

P/N information:

OLI **XX** **XX** **T5.5 TS** **XXX** **X**
 | | | | |
 Type Base Voltage Circuit
 (Color) (Angle)
 (marking on base)

	Voltage	Circuit	#	Current
024	24~28V	DC	1	13~16,5mA

Items in bold type are standard value.

Other Color / Voltage / Current combinations are available on request.

Data in this short-form are subject to change without prior notice.

Please contact us for confirming of data in case of critical application.