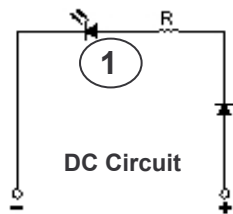
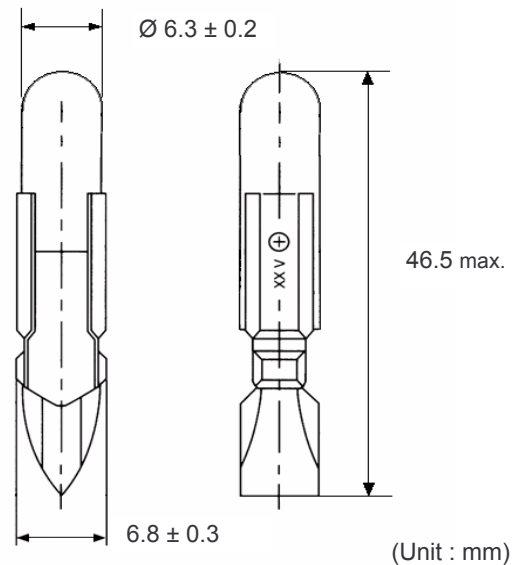


Single LED based series

T6.8 Telephone Slide Base



T_{OPR.} -25° ~ +60°C

T_{STG.} -30° ~ +85°C

Type	Die Emitting Color	Lens Color	Chip Construction	Peak Wavelength λ _p (nm)	Viewing Angle 2θ _{1/2}	L.E.D. Luminous Intensity Iv (mcd @20mA T _A 25°C)	
						Typ.	Max.
XR 50	Red	Water Clear	AlGaInP	625 ~ 640 nm	50°	3.000 ~ 5.000	
XY 50	Yellow	Water Clear	AlGaInP	585 ~ 595 nm	50°	3.000 ~ 5.000	
UG 50	Green	Water Clear	InGaN / Sic	525 ~ 540 nm	50°	7.000 ~ 9.000	
XB 50	Blue	Water Clear	InGaN / Sic	460 ~ 470 nm	50°	7.000 ~ 9.000	
XW 50	White	Water Clear	InGaN / Sic	x =0,31 y =0,32	50°	7.000 ~ 9.000	

P/N information:

OLI **XX** **XX** **T6.8 TS** **XXX** **X**
 | | | | |
 Type Base Voltage Circuit
 (Color) (Angle)
 (marking on base)

	Voltage*	Circuit	#	Current
024	24~28V	DC	1	11~14mA
060	60V	DC	1	8~9mA

Items in bold type are standard value.

Other Color / Voltage / Current combinations are available on request.

Data in this short-form are subject to change without prior notice.

Please contact us for confirming of data in case of critical application.

* Be sure to utilize LED lamps within their maximum allowable voltage range.